

# BORA M Pure

PLANNING DOCUMENTS

# BORA M Pure Highlights

## Induction times two

The two 230 x 230 mm surface induction cooking zones on the right can be connected together by the bridging function to create a single, large 230 x 460 mm zone that optimally heats large cookware. If using a sufficiently large roaster with permanent pan size recognition enabled, the zones are automatically combined. The two individual cooking zones on the left are ideal for smaller pots and pans. The BORA M Pure offers plenty of space for the most flexible cooking experiences.

## Intuitive operation with a modern look

The BORA M Pure can be completely controlled using a modern touch panel with a unique appearance thanks to the white LED indicators. The vertical slider makes it particularly easy to operate the cooktop with an intuitive swipe or a direct tap. All important control functions can be accessed with a single touch. Acoustic confirmations and warnings further enhance the ease of use.

## Colourful inlet nozzles

Add your own personal touch: As well as black, the air inlet nozzle is available in additional colours – orange, red, blue, jade green, light grey, sunny yellow and greige. This allows customers to customise their kitchens according to taste. The nozzles can be interchanged in just a few steps.

## eSwap - easy filter change

In recirculation mode odours are neutralised by a highly efficient activated charcoal filter. To make life easier, the filter is changed from the top through the air inlet aperture – without having to remove drawers or plinth panels.

## Oversized surface induction cooking zones

Particularly large surface induction cooking zones enable you to consistently warm even very large pots or roasters through.

## automatic bridging function

If a large enough cooking pot or roaster is placed on the two cooking zones that are one behind the other, they will automatically be combined to form one large cooking zone. It is not necessary to activate the bridging function manually.

## Minimalistic design

Due to the completely flush installation of the extractor and cooktops as well as its minimalist design, the system integrates seamlessly into the modern kitchen architecture.

## Oversized 4 24 cooking surface

Thanks to the central operating panel and the optimum arrangement of the cooking zones, BORA Basic offers room to cook with 4 large pots measuring up to 24cm at the same time.

## Automatic extractor control

The extractor power level automatically adjusts itself according to current cooking conditions. There's no need for constant manual adjustment, which means you can focus fully on your cooking.

## Minimum volume

Always markedly quiet – even at high power levels: The reason lies in the optimal airflow and the use of an extremely low-noise fan. There are no distractions when cooking and no interruptions when entertaining.





## PURMA

M Pure surface/induction cooktop with integrated cooktop extractor – exhaust air

## PURMU

M Pure surface/induction cooktop with integrated cooktop extractor – recirculation



### PUED

Pure air inlet nozzle black



### PUEDG

Pure air inlet nozzle greige



### PUEDR

Pure air inlet nozzle red



### PUEDJ

Pure air inlet nozzle jade green



### PUEDO

Pure air inlet nozzle orange



### PUEDB

Pure air inlet nozzle blue



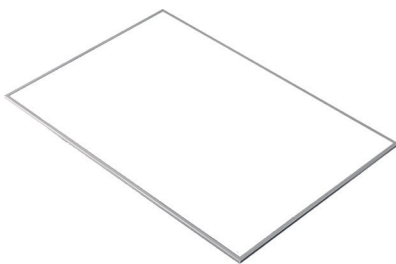
### PUEDL

Pure air inlet nozzle light gray



### PUEDS

Pure air inlet nozzle sunny yellow



### BKR760

Cooktop frame for width 760mm



### USL515

Side frame for cooktop depth 515mm

### USL515AB

Side frame for cooktop depth 515mm  
All Black

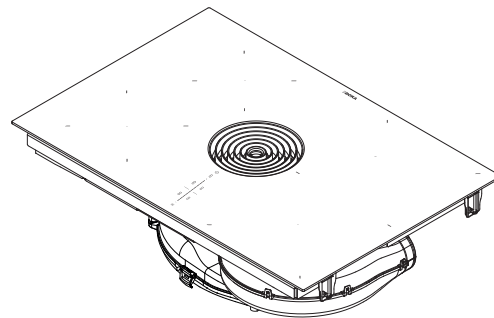
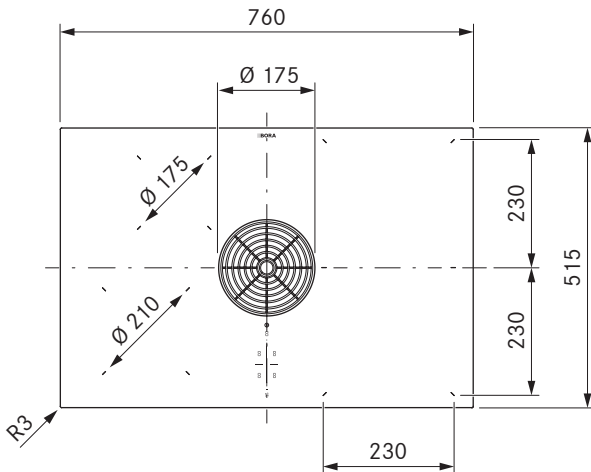
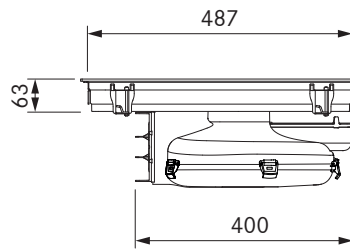
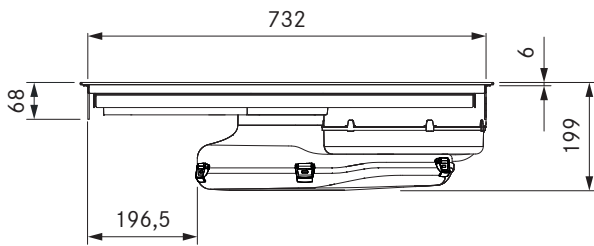


### KWGPFI

Surface induction grill pan

# PURMA

M Pure surface/induction cooktop with integrated cooktop extractor – exhaust air



## Technical data

|   |                                |
|---|--------------------------------|
| Multiphase supply voltage                     | 380 - 415 V 2N / 3N            |
| Single-phase supply voltage                   | 220 - 240 V                    |
| Frequency                                     | 50 - 60 Hz                     |
| Maximum power consumption                     | 7600 W (4400 W / 3600 W)       |
| Three-phase power supply/fuse protection      | 3 x 16 A                       |
| Two-phase power supply/fuse protection        | 2 x 16 A                       |
| Single-phase power supply/fuse protection     | 1 x 32 A (1 x 20 A / 1 x 16 A) |
| Dimensions (width x depth x height)           | 760 x 515 x 199 mm             |
| Weight (incl. accessories/packaging)          | 21,8 kg                        |
| Surface material                              | Glass ceramic                  |
| Cooktop extractor power levels                | 1 - 9, P                       |
| Cooktop power levels                          | 1 - 9, P                       |
| duct connection                               | BORA Ecotube                   |
| Front left cooking zone size                  | Ø 210 mm                       |
| Rear left cooking zone size                   | Ø 175 mm                       |
| Front right cooking zone size                 | 230 x 230 mm                   |
| Rear right cooking zone size                  | 230 x 230 mm                   |
| Front left cooking zone output                | 2300 W                         |
| Rear left cooking zone output                 | 1400 W                         |
| Front right cooking zone output               | 2100 W                         |
| Rear right cooking zone output                | 2100 W                         |
| Front left cooking zone power setting output  | 3000 W                         |
| Rear left cooking zone power setting output   | 2100 W                         |
| Front right cooking zone power setting output | 3000 W                         |
| Rear right cooking zone power setting output  | 3000 W                         |

## Product description

- Intuitive sControl control
- Minimum volume
- Simple cleaning
- automatic bridging function
- Oversized surface induction cooking zones

- Integrated grease drip pan
- Maximum storage space
- Compact size
- Automatic extractor control
- Large overflow tray - Collection volume 3 liters

## Scope of delivery

- Surface/induction cooktop with integrated cooktop extractor – exhaust air PURMA
- air inlet nozzle black
- stainless steel grease filter
- operating and installation instructions
- Mounting clamps
- sealing tape
- height adjustment plate set
- Housing cover power supply
- Installation accessories for the power supply

## Accessories

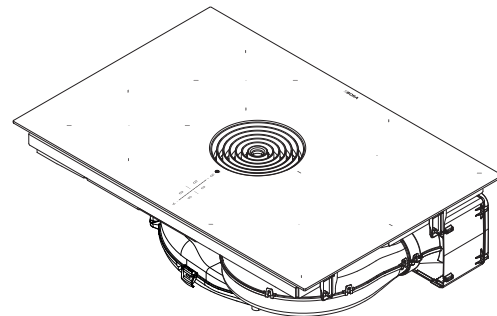
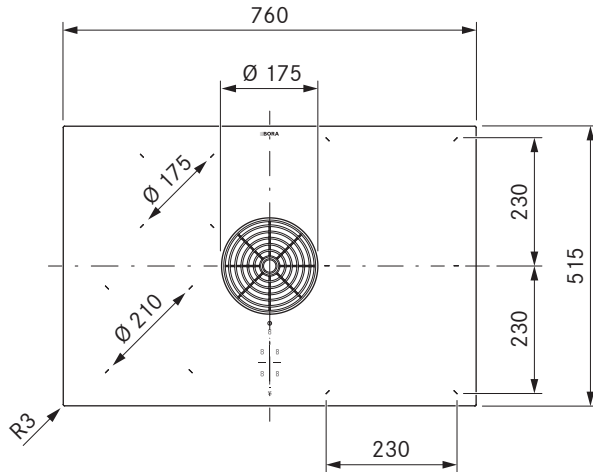
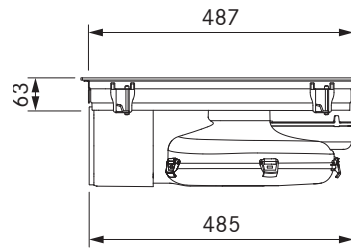
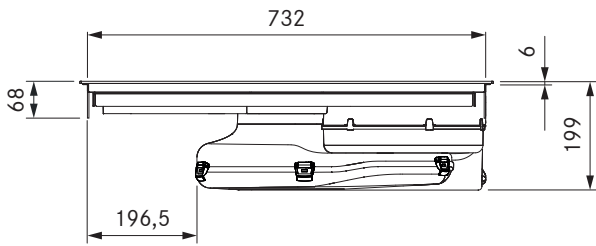
- Air inlet nozzle black PUED
- Air inlet nozzle greige PUEDG
- Air inlet nozzle red PUEDR
- Air inlet nozzle jade green PUEDJ
- Air inlet nozzle orange PUEDO
- Air inlet nozzle blue PUEDB
- Stainless steel grease filter PUEF
- UDB25 sealing tape
- BKR760 cooktop frame
- Surface induction grill pan KWGPFI

## Product- and planning instructions

- The power supply cable must be provided at the installation site
- Front power socket
- The BORA Ecotube duct system is optimally tailored to the BORA cooktop extractors and guarantees 100% functionality and optimum performance
- Ensure sufficient ventilation of the area below the cooktop.
- Installation type: flush or surface-mounted
- The drawers and/or shelves in the floor unit must be removable for maintenance and cleaning purposes
- Please note that induction-compatible cookware must be used on induction cooktops
- The cooktop extractor system can be combined with all BORA sockets
- Not compatible with BORA universal extractors

# PURMU

M Pure surface/induction cooktop with integrated cooktop extractor – recirculation



## Technical data

|   |  |
|---|--|
| Multiphase supply voltage                     | 380 - 415 V 2N / 3N                          |
| Single-phase supply voltage                   | 220 - 240 V                                  |
| Frequency                                     | 50 - 60 Hz                                   |
| Maximum power consumption                     | 7600 W (4400 W / 3600 W)                     |
| Three-phase power supply/fuse protection      | 3 x 16 A                                     |
| Two-phase power supply/fuse protection        | 2 x 16 A                                     |
| Single-phase power supply/fuse protection     | 1 x 32 A (1 x 20 A / 1 x 16 A)               |
| Dimensions (width x depth x height)           | 760 x 515 x 199 mm                           |
| Weight (incl. accessories/packaging)          | 23,6 kg                                      |
| Surface material                              | Glass ceramic                                |
| Cooktop extractor power levels                | 1 - 9, P                                     |
| Cooktop power levels                          | 1 - 9, P                                     |
| Front left cooking zone size                  | Ø 210 mm                                     |
| Rear left cooking zone size                   | Ø 175 mm                                     |
| Front right cooking zone size                 | 230 x 230 mm                                 |
| Rear right cooking zone size                  | 230 x 230 mm                                 |
| Front left cooking zone output                | 2300 W                                       |
| Rear left cooking zone output                 | 1400 W                                       |
| Front right cooking zone output               | 2100 W                                       |
| Rear right cooking zone output                | 2100 W                                       |
| Front left cooking zone power setting output  | 3000 W                                       |
| Rear left cooking zone power setting output   | 2100 W                                       |
| Front right cooking zone power setting output | 3000 W                                       |
| Rear right cooking zone power setting output  | 3000 W                                       |
| Filter medium                                 | Activated charcoal filter with ion exchanger |
| Filter material                               | Filter panel with fine filter                |
| Maximum filter service life                   | 150 h (1 year)                               |

## Product description

- Intuitive sControl control
- eSwap - easy filter change
- effective odour removal
- Minimum volume
- Simple cleaning
- Oversized surface induction cooking zones
- automatic bridging function

- Integrated grease drip pan
- Maximum storage space
- Automatic extractor control

## Scope of delivery

- Surface/induction cooktop with integrated cooktop extractor – recirculation PURMU
- air inlet nozzle black
- stainless steel grease filter
- activated charcoal filter
- operating and installation instructions
- drilling template
- Mounting clamps
- sealing tape
- height adjustment plate set
- Housing cover power supply
- Installation accessories for the power supply

## Accessories

- Air inlet nozzle black PUED
- Air inlet nozzle greige PUEDG
- Air inlet nozzle red PUEDR
- Air inlet nozzle jade green PUEDJ
- Air inlet nozzle orange PUEDO
- Air inlet nozzle blue PUEDB
- Stainless steel grease filter PUEF
- Activated charcoal filter PUAKF
- UDB25 sealing tape
- BKR760 cooktop frame
- Air purification box telescopic pull-out PULBTA
- Surface induction grill pan KWGPFI

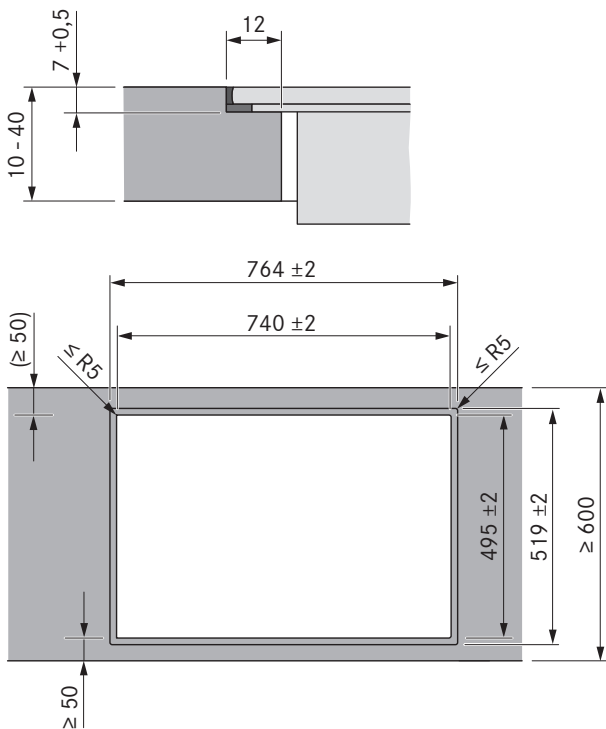
## Product- and planning instructions

- The power supply cable must be provided at the installation site
- Front power socket
- The air purification box is fitted with a telescopic pull-out (extension to 80 mm) for connection to the back wall of the unit
- The telescopic extension of the air purification box in extra-deep cooktop base cabinets can be extended by 105 mm with an additional telescopic extension PULBTA (available as accessory)
- Ensure sufficient ventilation of the area below the cooktop.
- Installation type: flush or surface-mounted
- The drawers and/or shelves in the floor unit must be removable for maintenance and cleaning purposes
- Please note that induction-compatible cookware must be used on induction cooktops
- The cooktop extractor system can be combined with all BORA sockets

# Cut-out dimensions

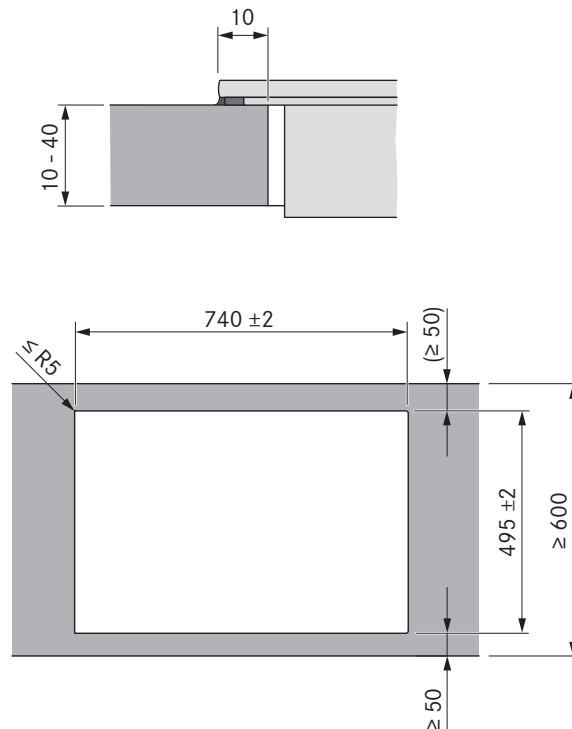
BORA M Pure

## Flush installation



## Surface mounting

(with or without cooktop frame)



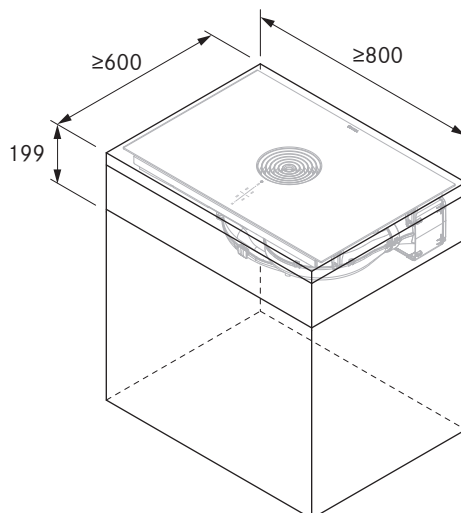
### Important planning instructions:

- The minimum distance of 50 mm from the front edge of the worktop to the worktop cut-out is a recommendation from BORA.
- Cut-out dimensions tolerance +/- 2 mm.
- Clearance of 2 mm should be planned around the built-in appliances.
- Please note the worktop manufacturer's instructions with regard to the suitability of the worktop. Worktop cut-outs must be moisture-sealed using suitable means or, where necessary, fitted with a thermal insulator (e.g. in the case of Corian or HiMac worktops).

# Minimum dimensions for installation

BORA M Pure

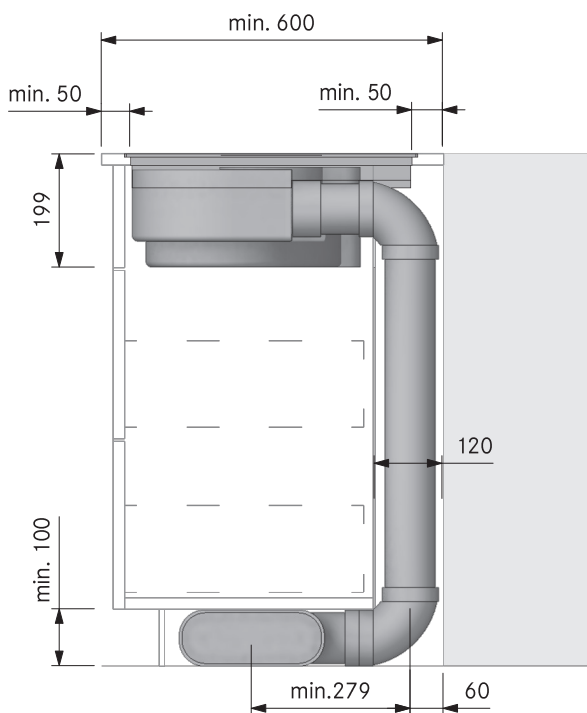
## PURMA/PURMU



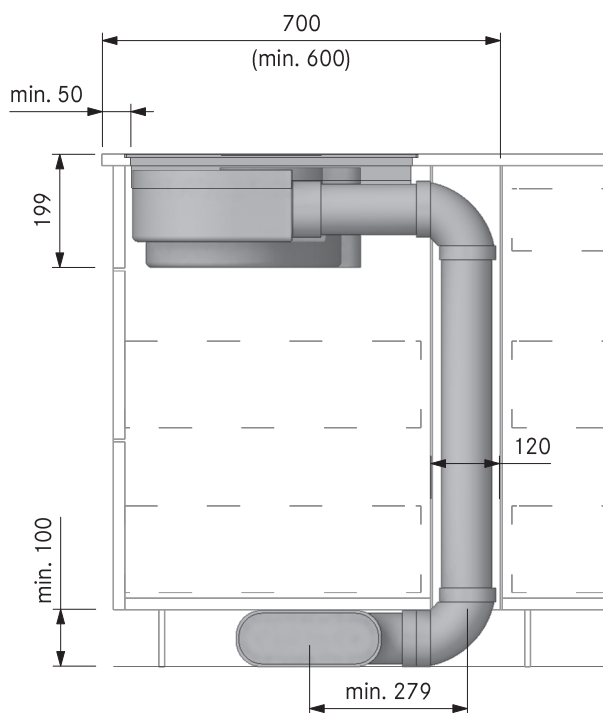
# Installation cut-outs

BORA M Pure

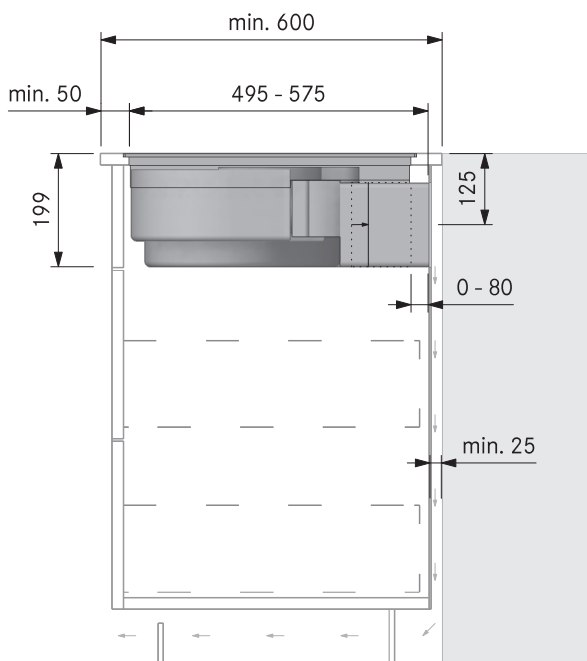
**PURMA (kitchen counter 600)**



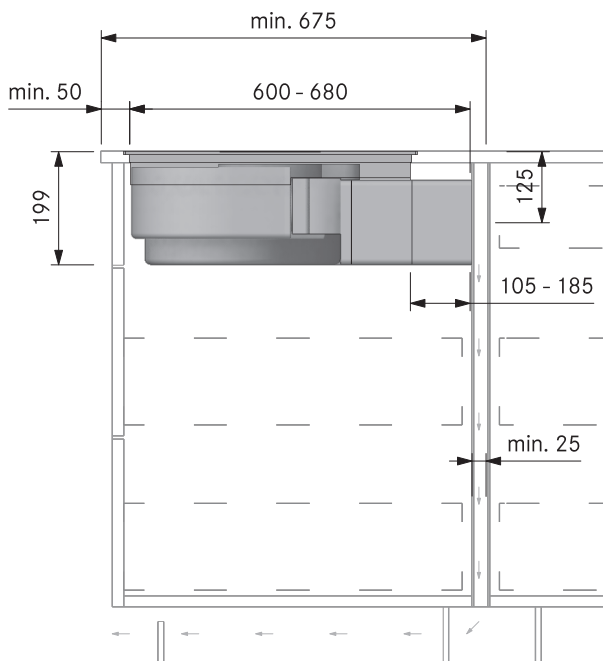
**PURMA (kitchen island)**



**PURMU (kitchen counter 600)**



**PURMU with PULBTA (kitchen island)**

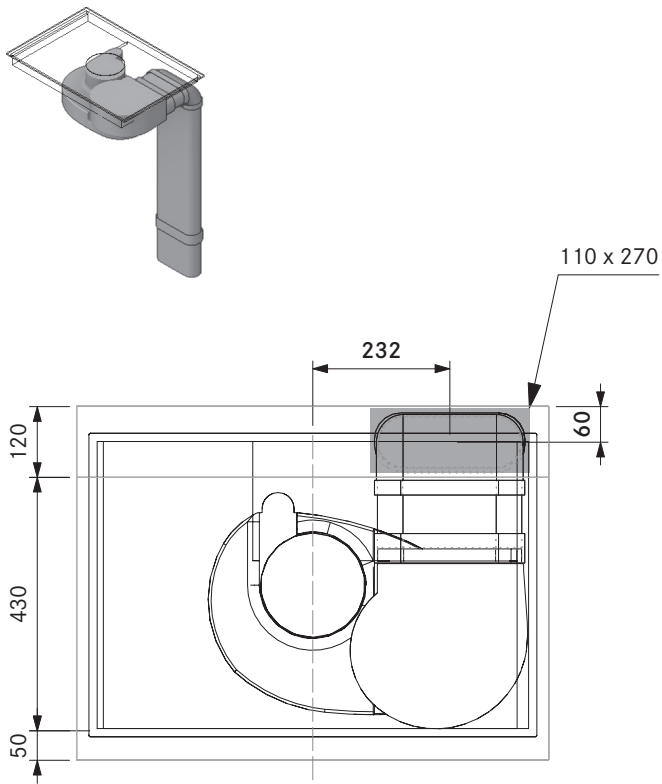


To ensure optimum extraction performance, a return flow aperture of at least 500 cm<sup>2</sup> for the air recirculation hood must be guaranteed.

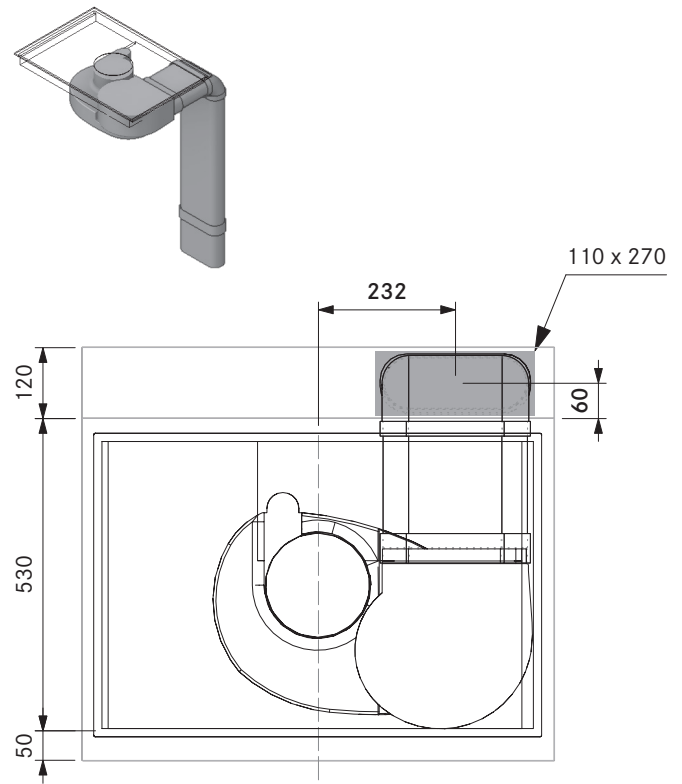
# Core bore holes

BORA M Pure

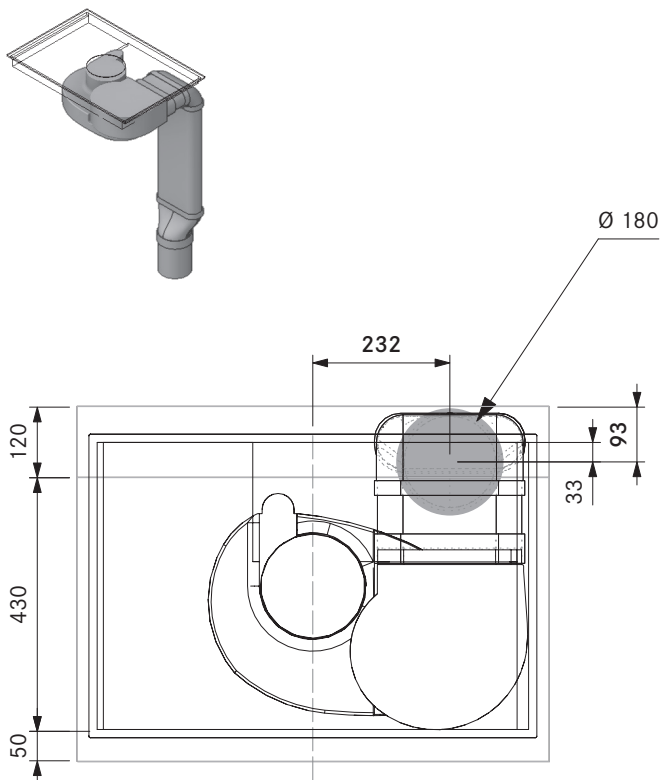
**PURMA with shallow duct EFS750 (kitchen counter 600)**



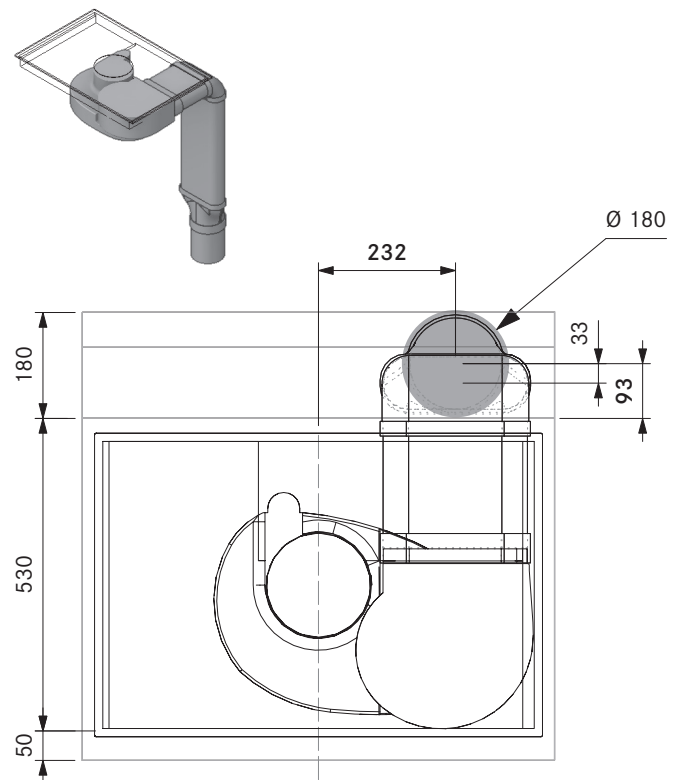
**PURMA with shallow duct EFS750 (kitchen island 700)**



**PURMA with shallow duct EFS750, transition, shallow round straight EFRG (kitchen counter)**



**PURMA with shallow duct EFS750, transition, shallow round straight EFRG (kitchen island)**

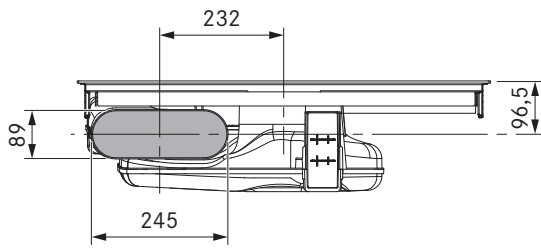




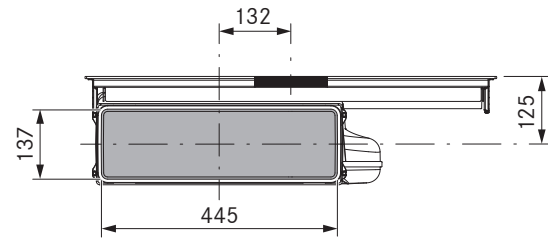
# Duct connection dimensions

BORA M Pure

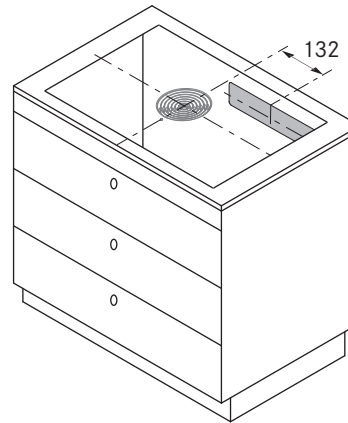
## Duct connection dimensions PURMA with BORA Ecotube duct connection



## Duct connection dimensions PURMU For return flow aperture on the back of the body



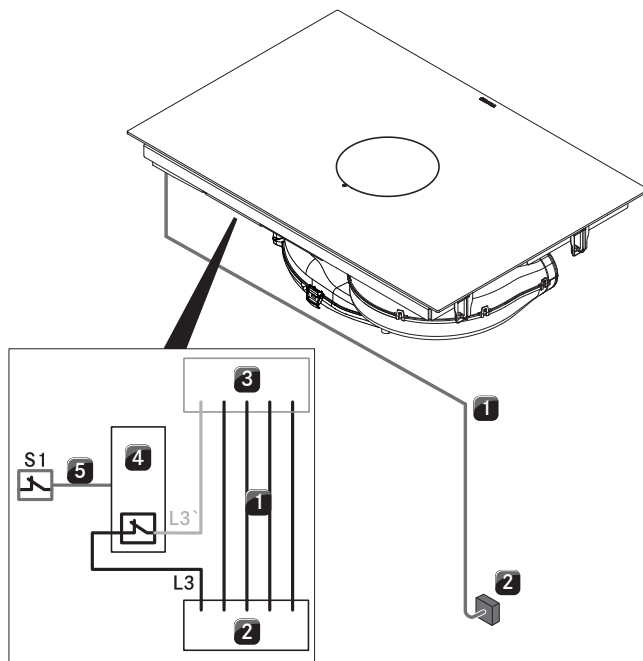
## Cut-out on rear wall PURMU



# Connection diagram

BORA M Pure

## PURMA/PURMU



### Description

- |    |   |
|----|---|
| 1  | Power supply cable for the cooktop with cooktop extractor<br>(the connection cable must be provided at the installation site) |
| 2  | Power supply L1/L2/L3/N/PE (minimum fuse protection 3 x16 A)  |
| 3  | Power supply for the cooktop with cooktop extractor   |
| 4  | Switch relay  |
| 5  | S1 switch connection and switch relay<br>(e.g. via wireless communication)  |
| S1 | External switch contact (e.g. window contact switch for operating in<br>exhaust mode with flues/fireplaces)                   |

The connection diagram shows the maximum connection options required and is for planning purposes only. The connection itself must be carried out by a qualified specialist based on the operating instructions.

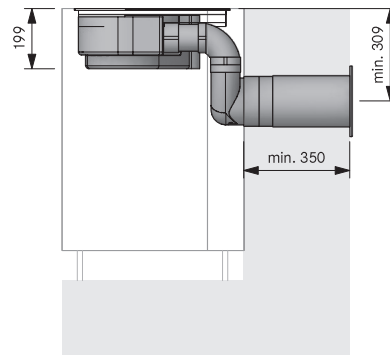
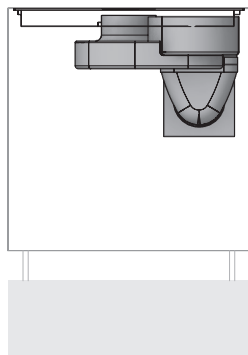
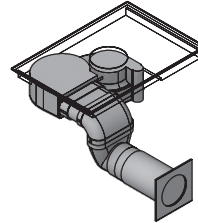
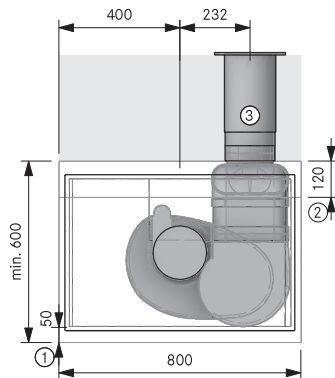
# Model plans

BORA M Pure

see more model plans at <https://partner.bora.com>

## PURMA - exhaust air model

PA10140 (airflow to the back, gooseneck, UEBR)



### Planning instructions

- ① At least 50 mm from front edge to cut-out. The minimum distance of 50 mm from the front edge of the worktop to the worktop cut-out is a recommendation from BORA. For the binding measurement, please contact your worktop manufacturer.
- ② Space requirements for technology
- ③ Core bore hole at least  $\varnothing$  180 mm. Must expel air in a straight line regardless of the weather conditions

### BORA product

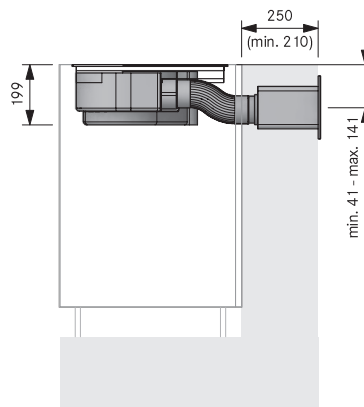
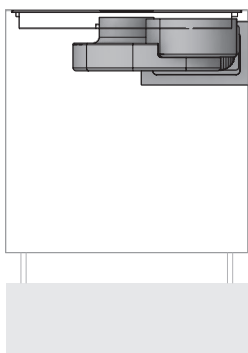
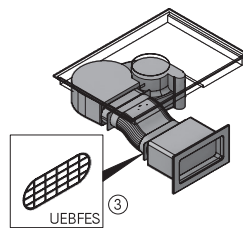
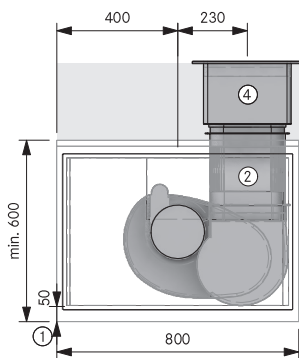
- 1 PURMA M Pure surface/induction cooktop with integrated cooktop extractor – exhaust air

### BORA Ecotube product

- 1 EFV/1 Ecotube duct connection flat incl. sealing material
- 1 EFBV90/1 Ecotube bend 90° flat vertical incl. sealing material
- 1 UEBR/1 3box wall sleeve round incl. sealing material
- 1 EFS750/1 Ecotube shallow duct with a bar 750mm
- 1 ERV/1 Ecotube duct connection round incl. sealing material
- 1 EFR90/1 Ecotube bridge 90° flat round incl. sealing material
- 1 ER750/1 Ecotube round duct, 750mm

## PURMA – exhaust air model

PA10115 (airflow to the back, EFAF, UEBF)



### Planning instructions

- ① At least 50 mm from front edge to cut-out. The minimum distance of 50 mm from the front edge of the worktop to the worktop cut-out is a recommendation from BORA. For the binding measurement, please contact your worktop manufacturer.
- ② Maximum offset EFAF: height 50 mm, side 30 mm
- ③ In the case of ducting  $\leq$  900 mm with no bend between the fan and wall sleeve, the UEBFES/UEBRES is required.
- ④ Wall opening 310 x 155 mm. Must expel air in a straight line regardless of the weather conditions.

### BORA product

- 1 PURMA M Pure surface/induction cooktop with integrated cooktop extractor – exhaust air

### BORA Ecotube product

- 1 EFV/1 Ecotube duct connection flat incl. sealing material
- 1 UEBF/1 3box wall sleeve incl. sealing material
- 1 UEBFES 3box wall sleeve vent guard
- 1 EFS750/1 Ecotube shallow duct with a bar 750mm
- 1 EFAF Ecotube flat adapter flexible

Installation may only be carried out in accordance with the applicable standards, regulations and laws.

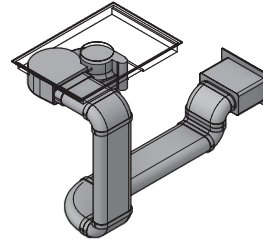
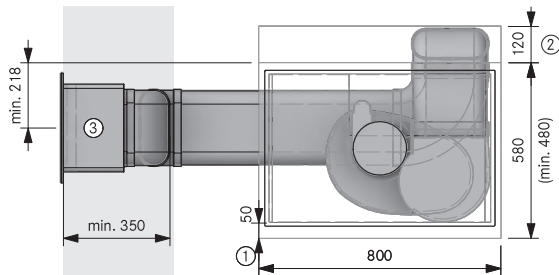
# Model plans

BORA M Pure

see more model plans at <https://partner.bora.com>

## PURMA – exhaust air model

PA20430 (airflow to the left, in the plinth area, gooseneck, UEBF)



### Planning instructions

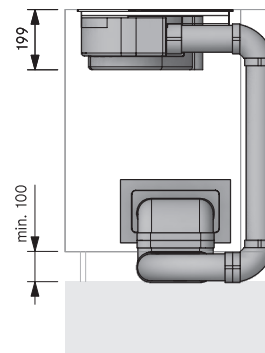
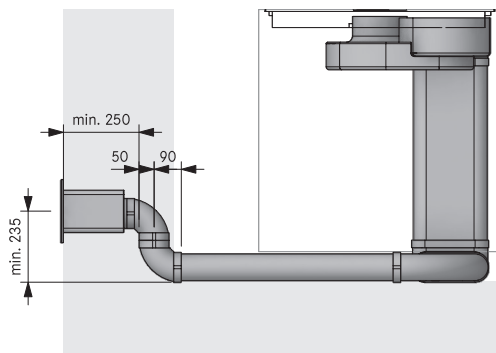
- ① At least 50 mm from front edge to cut-out. The minimum distance of 50 mm from the front edge of the worktop to the worktop cut-out is a recommendation from BORA. For the binding measurement, please contact your worktop manufacturer.
- ② Space requirements for technology
- ③ Wall opening 310 x 155 mm. Must expel air in a straight line regardless of the weather conditions.

### BORA product

- 1 PURMA M Pure surface/induction cooktop with integrated cooktop extractor – exhaust air

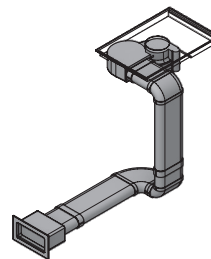
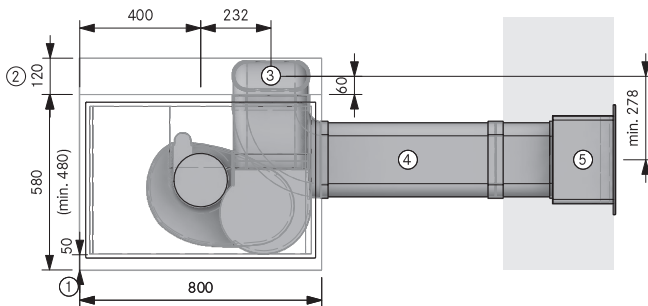
### BORA Ecotube product

- 1 EFV/1 Ecotube duct connection flat incl. sealing material
- 4 EFBV90/1 Ecotube bend 90° flat vertical incl. sealing material
- 1 EFBH90/1 Ecotube bend 90° flat horizontal incl. sealing material
- 1 UEBF/1 3box wall sleeve incl. sealing material
- 3 EFS750/1 Ecotube shallow duct with a bar 750mm



## PURMA – exhaust air model

PA30210 (airflow to the right, in the floor, UEBF)



### Planning instructions

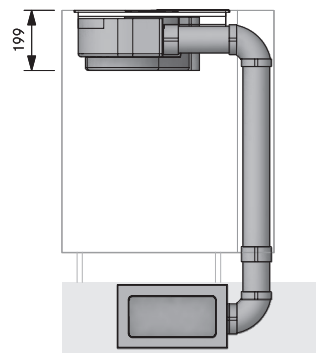
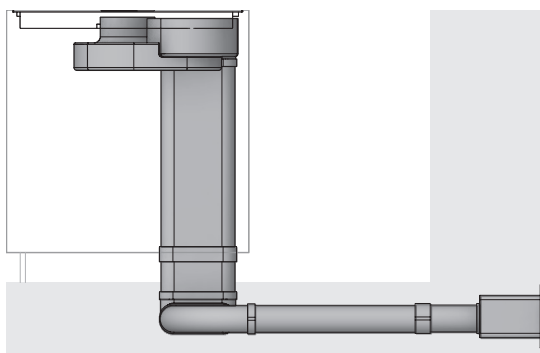
- ① At least 50 mm from front edge to cut-out. The minimum distance of 50 mm from the front edge of the worktop to the worktop cut-out is a recommendation from BORA. For the binding measurement, please contact your worktop manufacturer.
- ② Space requirements for technology
- ③ Ecotube connection point
- ④ Fitted in floor installation according to DIN 18560-2 (fully integrated in the levelling layer). If the structure deviates from DIN 18560-2, reinforced screed must be provided for.
- ⑤ Wall opening 310 x 155 mm. Must expel air in a straight line regardless of the weather conditions.

### BORA product

- 1 PURMA M Pure surface/induction cooktop with integrated cooktop extractor – exhaust air

### BORA Ecotube product

- 3 EFV/1 Ecotube duct connection flat incl. sealing material
- 2 EFBV90/1 Ecotube bend 90° flat vertical incl. sealing material
- 1 EFBH90/1 Ecotube bend 90° flat horizontal incl. sealing material
- 1 UEBF/1 3box wall sleeve incl. sealing material
- 3 EFS750/1 Ecotube shallow duct with a bar 750mm



Installation may only be carried out in accordance with the applicable standards, regulations and laws.

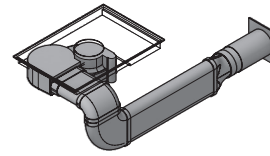
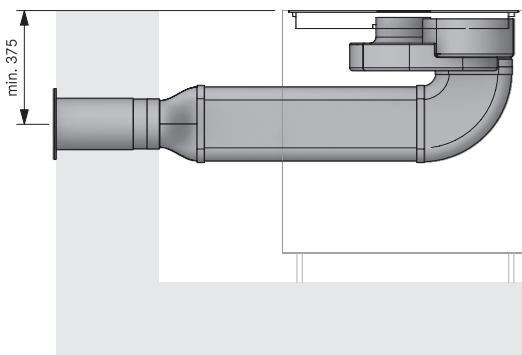
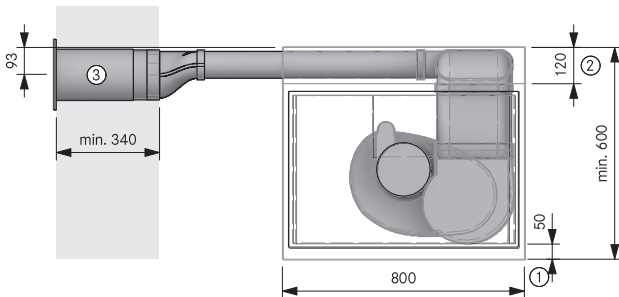
# Model plans

BORA M Pure

see more model plans at <https://partner.bora.com>

## PURMA - exhaust air model

PA10424 (airflow to the left, shallow duct upright, UEBR)



### Planning instructions

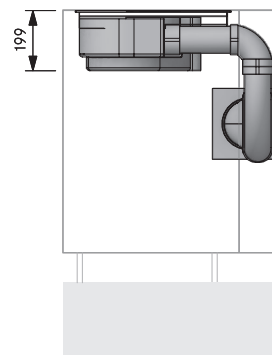
- ① At least 50 mm from front edge to cut-out. The minimum distance of 50 mm from the front edge of the worktop to the worktop cut-out is a recommendation from BORA. For the binding measurement, please contact your worktop manufacturer.
- ② Space requirements for technology
- ③ Core bore hole at least  $\varnothing$  180 mm  
Must expel air in a straight line regardless of the weather conditions

### BORA product

- 1 PURMA M Pure surface/induction cooktop with integrated cooktop extractor – exhaust air

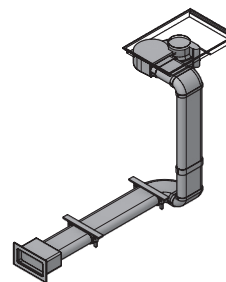
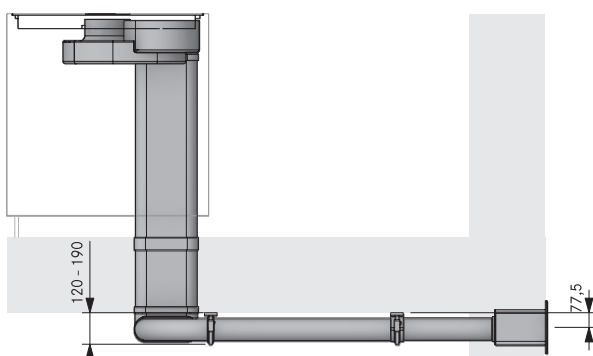
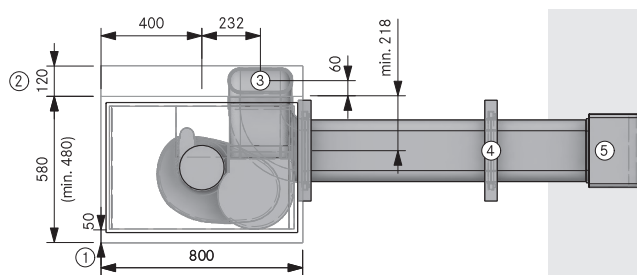
### BORA Ecotube product

- 1 EFBH90/1 Ecotube bend 90° flat horizontal incl. sealing material
- 1 EFBV90/1 Ecotube bend 90° flat vertical incl. sealing material
- 1 EFRG/1 Ecotube bridge flat round straight incl. sealing material
- 1 EFV/1 Ecotube duct connection flat incl. sealing material
- 1 UEBR/1 3box wall sleeve round incl. sealing material
- 2 EFS750/1 Ecotube shallow duct with a bar 750mm
- 1 ER750/1 Ecotube round duct, 750mm



## PURMA – exhaust air model

PA40210 (airflow to the right, in the basement, UEBF)



### Planning instructions

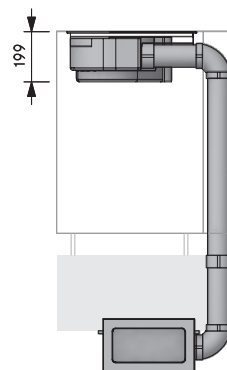
- ① At least 50 mm from front edge to cut-out. The minimum distance of 50 mm from the front edge of the worktop to the worktop cut-out is a recommendation from BORA. For the binding measurement, please contact your worktop manufacturer.
- ② Space requirements for technology
- ③ Opening at least 110 x 270 mm
- ④ One mounting bracket set per Ecotube product with moulded coupling
- ⑤ Wall opening 310 x 155 mm.  
Must expel air in a straight line regardless of the weather conditions.

### BORA product

- 1 PURMA M Pure surface/induction cooktop with integrated cooktop extractor – exhaust air

### BORA Ecotube product

- 3 EFV/1 Ecotube duct connection flat incl. sealing material
- 2 EFBV90/1 Ecotube bend 90° flat vertical incl. sealing material
- 1 EFBH90/1 Ecotube bend 90° flat horizontal incl. sealing material
- 2 EFMS/1 Ecotube installation kit flat
- 1 UEBF/1 3box wall sleeve incl. sealing material
- 3 EFS750/1 Ecotube shallow duct with a bar 750mm



Installation may only be carried out in accordance with the applicable standards, regulations and laws.



---

D

BORA Lüftungstechnik GmbH  
Rosenheimer Straße 33  
D-83064 Raubling, Germany  
T +49 (0) 80 35 98 40-0  
F +49 (0) 80 35 98 40-300  
info@bora.com

A

BORA Vertriebs GmbH & Co KG  
Innstraße 1  
A-6342 Niederndorf, Austria  
T +43 (0) 53 73 6 22 50-0  
F +43 (0) 53 73 6 22 50-90  
mail@bora.com

INT

BORA Holding GmbH  
Innstraße 1  
A-6342 Niederndorf, Austria  
T +43 (0) 53 73 6 22 50-0  
F +43 (0) 53 73 6 22 50-90  
mail@bora.com

EN

---

Errors and technical changes reserved.

Due to ongoing improvements thanks to research and development, BORA reserve the right to change product specifications or features without prior notice. BORA shall not be held liable for printing errors. Publication of images and diagrams requires written authorisation.

[bora.com](http://bora.com)