

BORA S Pure

Planning documents

BORA S Pure Highlights

Minimalistic design

Thanks to the flush-integrated cooktop and extractor as well as the minimalist design, the BORA S Pure integrates seamlessly into any contemporary kitchen. Visually, it is characterised by the asymmetrical position of the air inlet nozzle, which gives the cooktop an extraordinary and modern appearance. The operating panel is practically invisible in standby mode and scaled down to the essentials during operation through the use of intelligent lighting.

Minimum volume

Always markedly quiet - even at high power levels: The reason lies in the optimal airflow and the use of an extremely low-noise fan. There are no distractions when cooking and no interruptions when entertaining.

eSwap - easy filter change

In recirculation mode odours are neutralised by a highly efficient activated charcoal filter. To make life easier, the filter is changed from the top through the air inlet aperture - without having to remove drawers or plinth panels.

Ultra-compact design

The solution to all space issues: with its extremely compact dimensions, the BORA S Pure cooktop is the perfect choice for even the smallest of kitchens. It even fits in kitchen units with a width of just 60 cm. This opens up a whole new range of kitchen design options!

Maximum storage space

At under 200mm, the low installation height and integrated recirculation unit guarantee maximum storage space for pots and other kitchen utensils in the cupboard below. Even in 60-cm-deep kitchen units, no drawers need to be shortened in recirculation mode. A change from the norm.

Intuitive sControl control

The unique vertical slider makes operation via the intuitive up and downwards movement of your finger or direct tapping with the fingertip even easier. All of the important functions are at your fingertips in a flash.

Integrated grease drip pan

If anything is spilled during cooking, the integrated drip tray safely catches both liquids and solids.

Simple cleaning

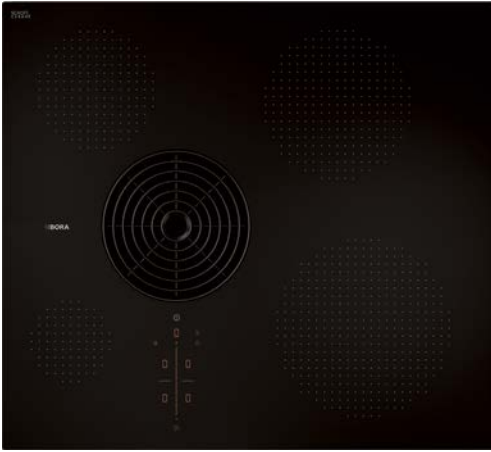
All parts that come into contact with cooking vapours can be easily removed through the accessible, wide inlet opening. They can then be cleaned in the dishwasher, where they take up very little space.

Optimum cooktop use

The BORA S Pure has four cooking zones of different sizes, suitable for accommodating pots and pans with all conventional dimensions. Two of the four induction coils have been specially developed for the BORA S Pure. This enables optimum use of the entire cooktop surface. Users can easily cook with up to four pots and pans of conventional sizes at the same time, no matter how large or small.

Automatic extractor control

The extractor power level automatically adjusts itself according to current cooking conditions. There's no need for constant manual adjustment, which means you can focus fully on your cooking.



PURSA

BORA S Pure induction cooktop with integrated cooktop extractor - Exhaust air

PURSU

BORA S Pure induction cooktop with integrated cooktop extractor - Recirculation



PUED

BORA Pure air inlet nozzle black



PUEDG

BORA Pure air inlet nozzle greige



PUEDR

BORA Pure air inlet nozzle red



PUEDJ

BORA Pure air inlet nozzle jade green



PUEDO

BORA Pure air inlet nozzle orange



PUEDB

BORA Pure air inlet nozzle blue



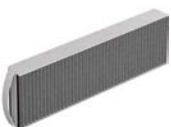
PUEF

BORA Pure stainless steel grease filter



USL5 15

BORA side frame for cooktop depth 515mm



PUAKF

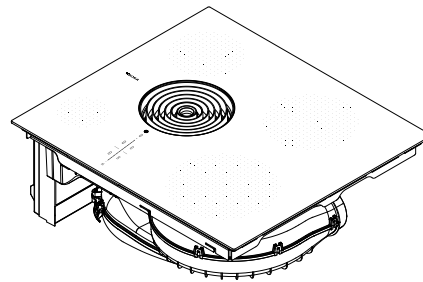
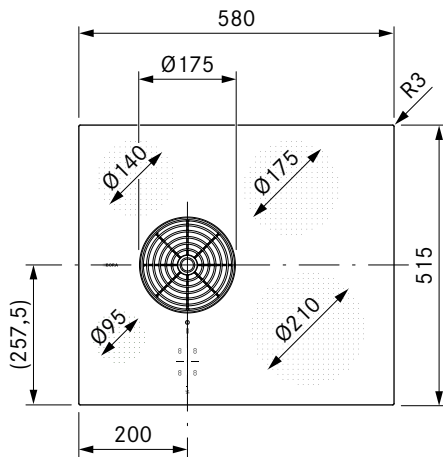
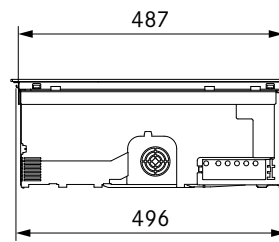
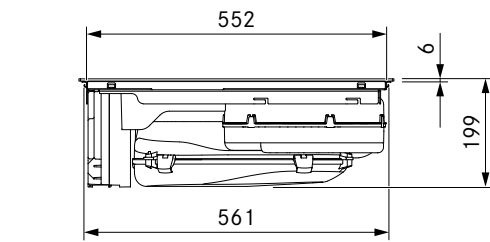
BORA Pure activated carbon filter

USL5 15AB

BORA side frame for cooktop depth 515mm All Black

PURSA

BORA S Pure induction cooktop with integrated cooktop extractor - Exhaust air



Technical data

Multiphase supply voltage	380 - 415 V 2N/3N
Single-phase supply voltage	220 - 240 V
Frequency	50 / 60 Hz
Maximum power consumption	7,25 kW
Three-phase power supply/fuse protection	3 x 16 A (standard connection)
Two-phase power supply/fuse protection	2 x 16 A
Single-phase power supply/fuse protection	1 x 32 A (1 x 20 A / 1 x 16 A)
Dimensions (width x depth x height)	580 x 515 x 199 mm
Weight (incl. accessories/packaging)	ca. 20 kg
Surface material	Glass ceramic
Cooktop extractor power levels	1 - 9, P
Cooktop power levels	1 - 9, P
duct connection	BORA Ecotube
Front left cooking zone output	400 W
Front right cooking zone output	2300 W
Rear left cooking zone output	900 W
Rear right cooking zone output	1400 W
Front left cooking zone power setting output	600 W
Front right cooking zone power setting output	3000 W
Rear left cooking zone power setting output	1350 W
Rear right cooking zone power setting output	2100 W
Front left cooking zone size	Ø 95 mm
Front right cooking zone size	Ø 210 mm
Rear left cooking zone size	Ø 140 mm
Rear right cooking zone size	Ø 175 mm

Product description

- Intuitive sControl control
- Minimum volume
- Simple cleaning
- Integrated grease drip pan
- Optimum cooktop use
- Maximum storage space
- Ultra-compact design
- Automatic extractor control
- Large overflow tray
- Demo mode

Scope of delivery

- Induction cooktop with integrated cooktop extractor - exhaust air
- Air inlet nozzle black
- stainless steel grease filter
- operating and installation instructions
- sealing tape
- height adjustment plate set
- Housing cover power supply
- Installation accessories for the power supply

Accessories

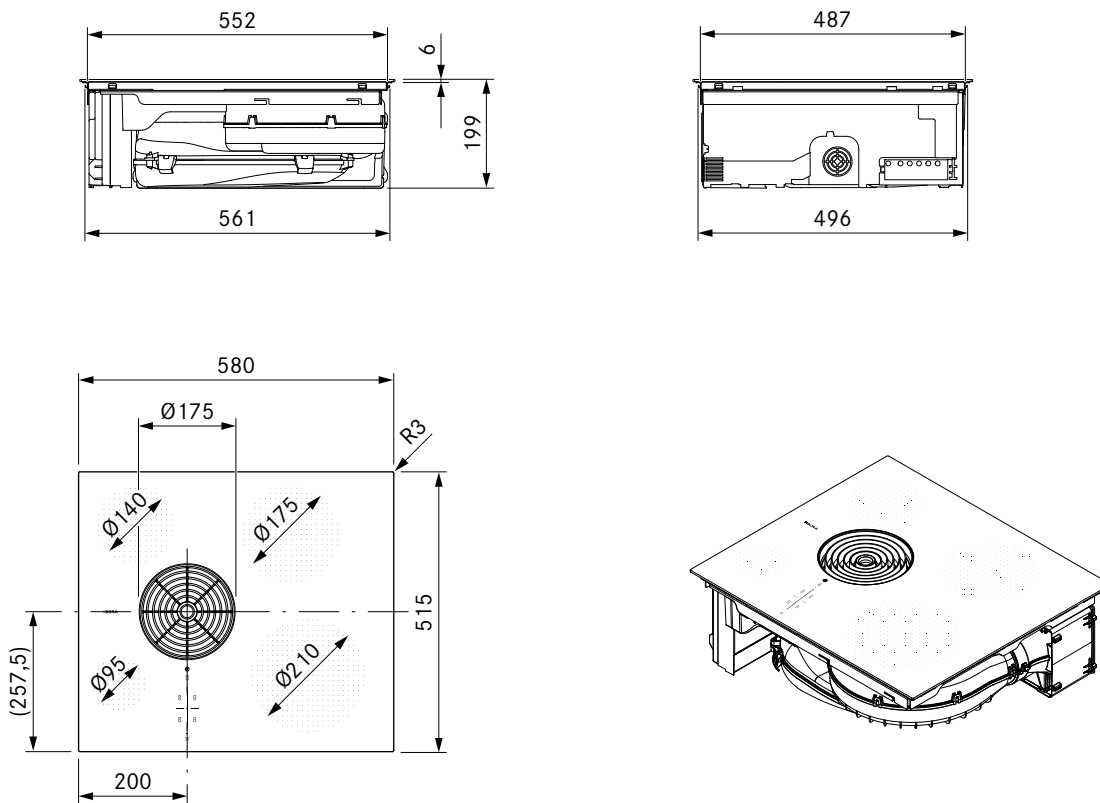
- Air inlet nozzle black PUED
- Air inlet nozzle greige PUEDG
- Air inlet nozzle red PUEDR
- Air inlet nozzle jade green PUEDJ
- Air inlet nozzle orange PUEDO
- Air inlet nozzle blue PUEDB
- Stainless steel grease filter PUEF
- UDB25 sealing tape
- Air purification box PULB

product- and planning instructions

- The connection cable must be provided at the installation site
- Front power socket
- The BORA Ecotube duct system is optimally tailored to the BORA cooktop extractors and guarantees 100% functionality and optimum performance
- Ensure sufficient ventilation of the area below the cooktop.
- Installation type: flush or surface-mounted
- The drawers and/or shelves in the floor unit must be removable for maintenance and cleaning purposes
- Please note that induction-compatible cookware must be used on induction cooktops
- The cooktop extractor system can be combined with all BORA sockets
- Not compatible with BORA universal extractors

PURSU

BORA S Pure induction cooktop with integrated cooktop extractor - Recirculation



Technical data

Multiphase supply voltage	380 - 415 V 2N/3N
Single-phase supply voltage	220 - 240 V
Frequency	50 / 60 Hz
Maximum power consumption	7,25 kW
Three-phase power supply/fuse protection	3 x 16 A (standard connection)
Two-phase power supply/fuse protection	2 x 16 A
Single-phase power supply/fuse protection	1 x 32 A (1 x 20 A / 1 x 16 A)
Dimensions (width x depth x height)	580 x 515 x 199 mm
Weight (incl. accessories/packaging)	Approx. 20 kg
Surface material	Glass ceramic
Cooktop extractor power levels	1 - 9, P
Cooktop power levels	1 - 9, P
Front left cooking zone output	400 W
Front right cooking zone output	2300 W
Rear left cooking zone output	900 W
Rear right cooking zone output	1400 W
Front left cooking zone power setting output	600 W
Front right cooking zone power setting output	3000 W
Rear left cooking zone power setting output	1350 W
Rear right cooking zone power setting output	2100 W
Front left cooking zone size	Ø 95 mm
Front right cooking zone size	Ø 210 mm
Rear left cooking zone size	Ø 140 mm
Rear right cooking zone size	Ø 175 mm
Size of exhaust opening	445 x 137 mm
Filter medium	Activated charcoal filter with ion exchanger
Filter material	Filter panel with fine filter
Maximum filter service life	150 h (1 year)

Product description

- Intuitive sControl control
- eSwap - easy filter change
- effective odour removal
- Minimum volume
- Simple cleaning
- Integrated grease drip pan
- Optimum cooktop use
- Maximum storage space
- Automatic extractor control
- Ultra-compact design

Scope of delivery

- Induction cooktop with integrated cooktop extractor - Recirculation
- Air inlet nozzle black
- stainless steel grease filter
- activated charcoal filter
- operating and installation instructions
- Template for cut-out on rear wall
- sealing tape
- height adjustment plate set
- Housing cover power supply
- Installation accessories for the power supply

Accessories

- Air inlet nozzle black PUED
- Air inlet nozzle greige PUEDG
- Air inlet nozzle red PUEDR
- Air inlet nozzle jade green PUEDJ
- Air inlet nozzle orange PUEDO
- Air inlet nozzle blue PUEDB
- Stainless steel grease filter PUEF
- Activated charcoal filter PUAKF
- UDB25 sealing tape

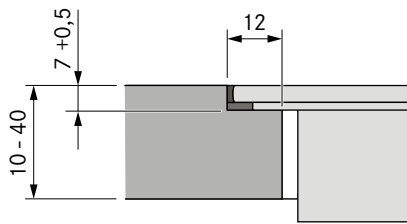
product- and planning instructions

- The connection cable must be provided at the installation site
- Front power socket
- The air purification box is fitted with a telescopic pull-out (extension to 80 mm) for connection to the back wall of the unit
- Ensure sufficient ventilation of the area below the cooktop.
- Installation type: flush or surface-mounted
- The drawers and/or shelves in the floor unit must be removable for maintenance and cleaning purposes
- Please note that induction-compatible cookware must be used on induction cooktops
- The cooktop extractor system can be combined with all BORA sockets

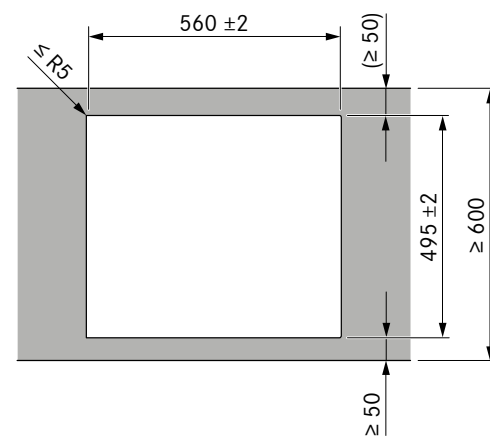
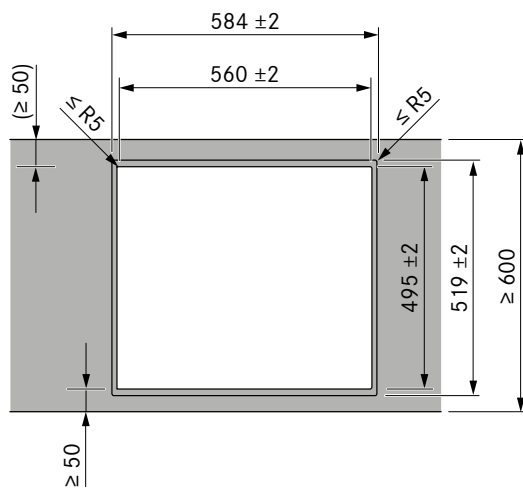
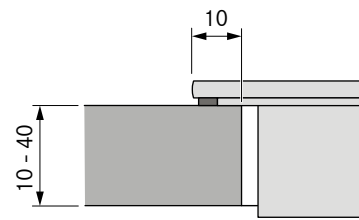
Cut-out dimensions

BORA S Pure PURSA/PURSU

Flush installation



Surface mounting



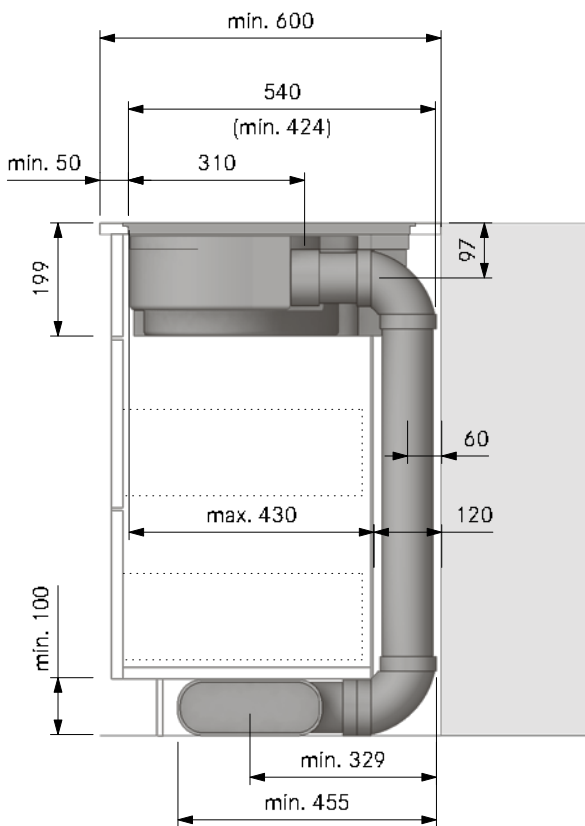
Important planning instructions:

- The minimum distance of 50 mm from the front edge of the worktop to the worktop cut-out is a recommendation from BORA.
- Cut-out dimensions tolerance +/- 2 mm.
- Clearance of 2 mm should be planned around the built-in appliances.
- Please note the worktop manufacturer's instructions with regard to the suitability of the worktop. Worktop cut-outs must be moisture-sealed using suitable means or, where necessary, fitted with a thermal insulator (e.g. in the case of Corian or HiMacs worktops).

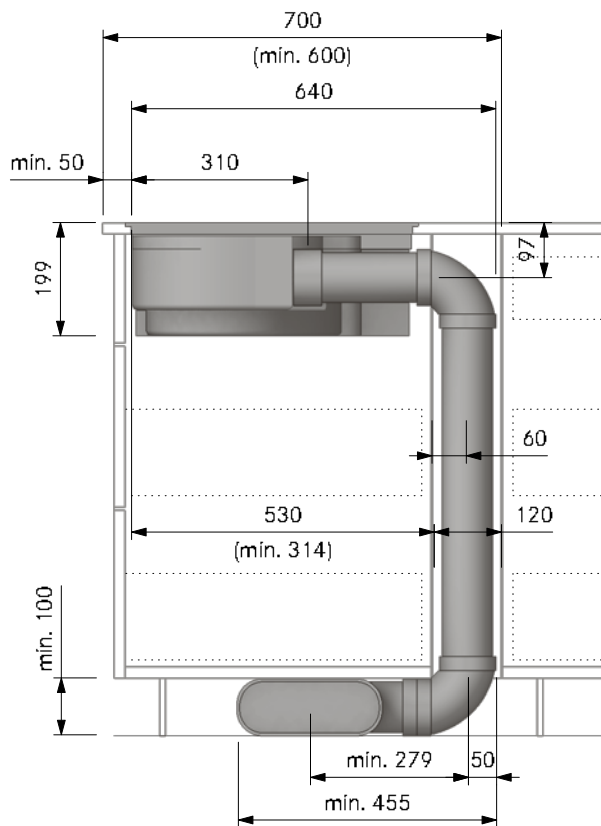
Installation cut-outs

BORA S Pure

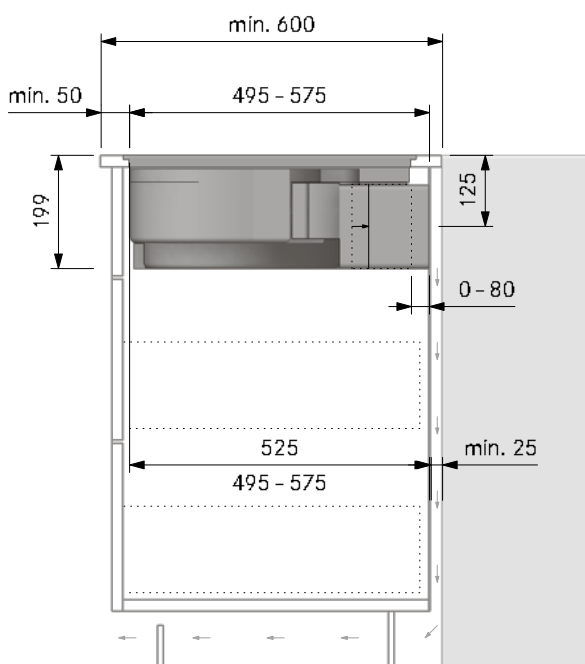
Installation cut-out PURSA (kitchen counter 600):



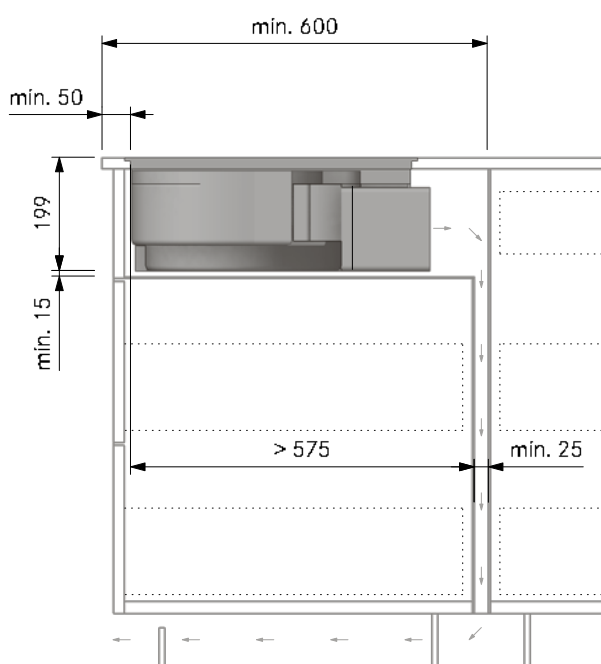
Installation cut-out PURSA (kitchen island):



Installation cut-out PURSU (kitchen counter 600):



Installation cut-out PURSU with reversible false floor (kitchen island):

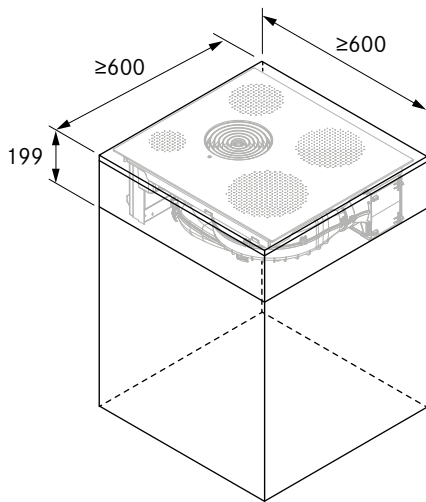


To ensure optimum extraction performance, a return flow aperture of at least 500 cm² for the air recirculation hood must be guaranteed.

Minimum dimensions for installation

BORA S Pure

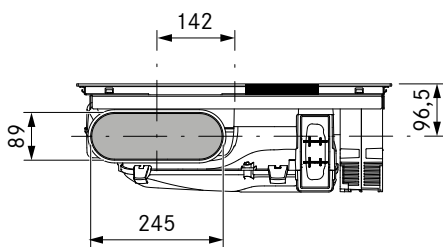
PURSA/PURSU



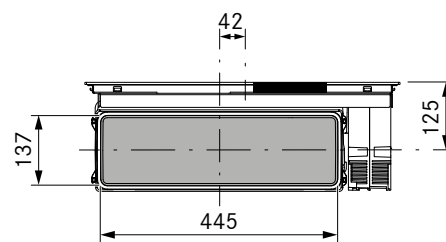
Duct connection dimensions

BORA S Pure

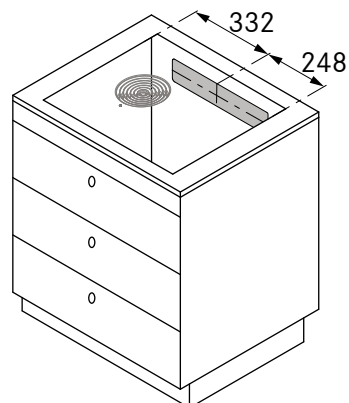
Duct connection dimensions PURSA with BORA Ecotube duct connection



Duct connection dimensions PURSU For return flow aperture on the back of the body



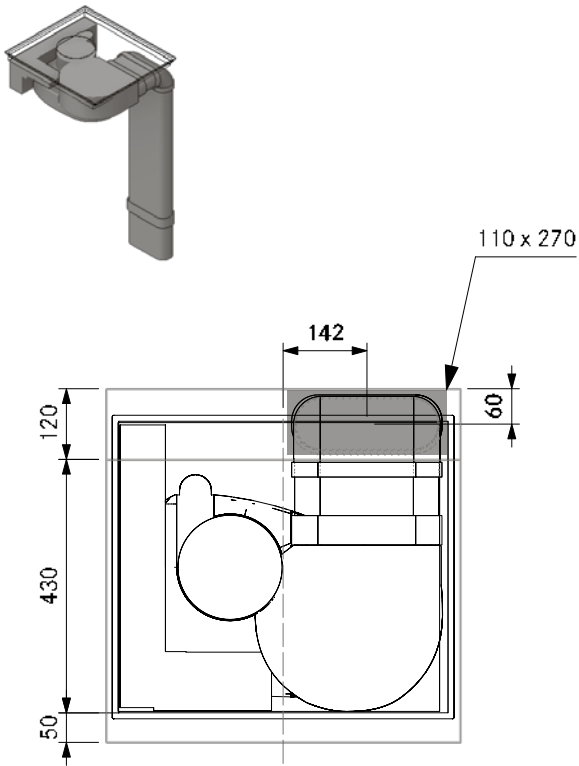
Cut-out on rear wall PURSU



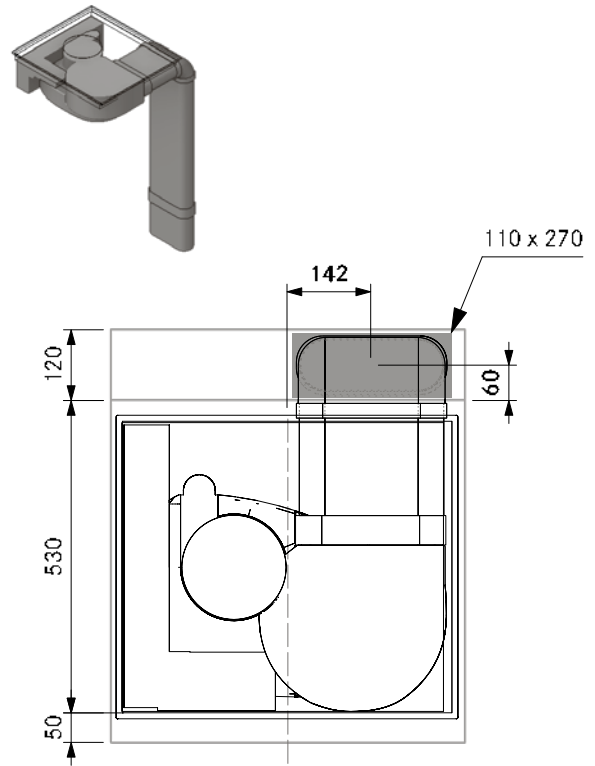
Core bore holes

BORA S Pure

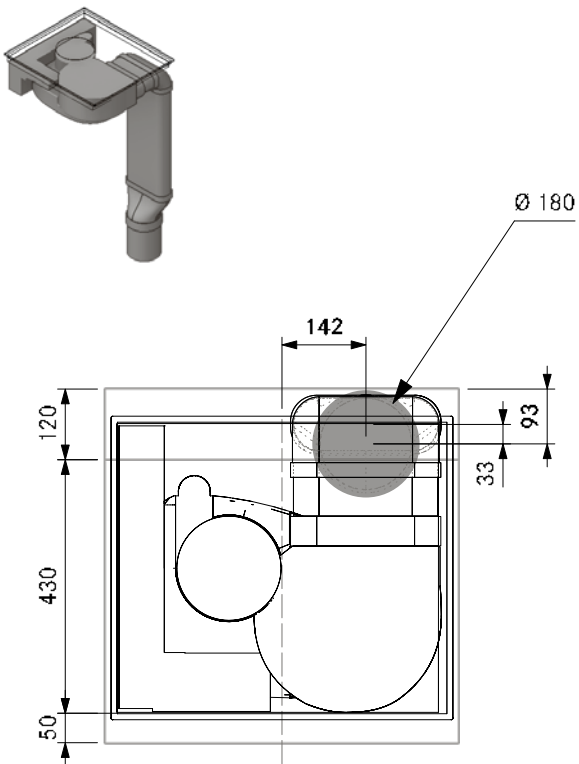
**Minimum dimensions for core bore hole
PURSA + EF750 (kitchen counter 600):**



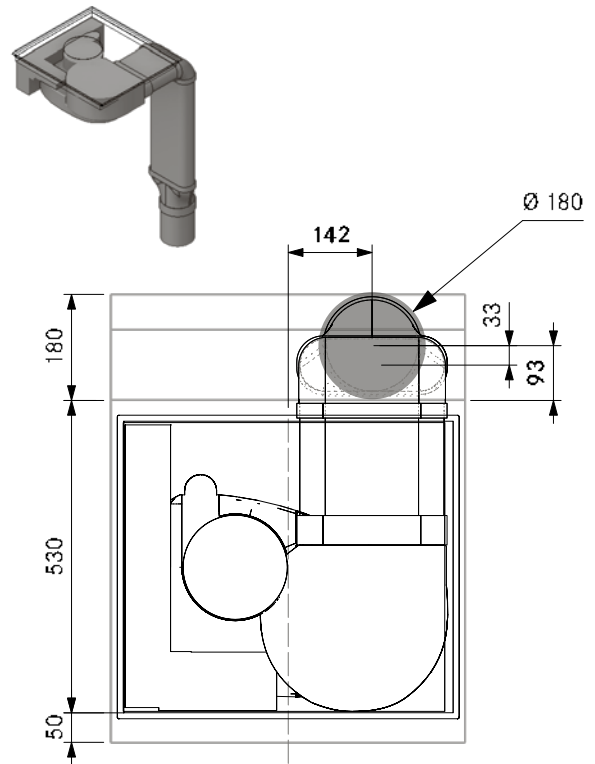
**Minimum dimensions for core bore hole
PURSA + EF750 (kitchen island 700):**



**Minimum dimensions for core bore hole
PURSA + EF750 + EFRG (kitchen counter):**



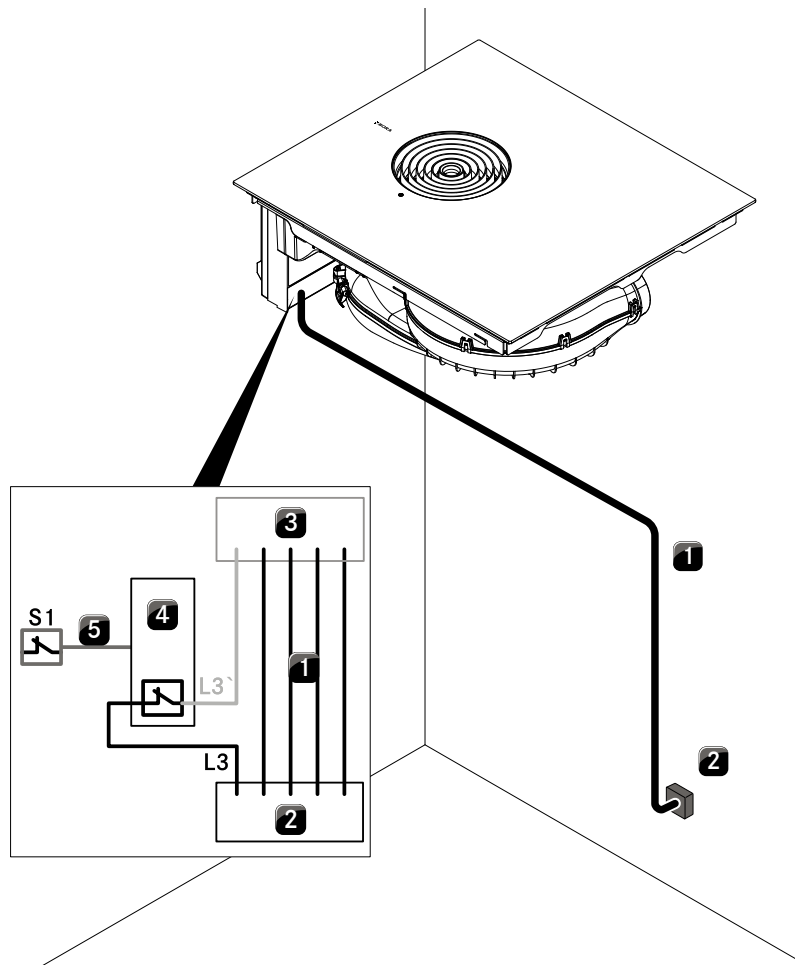
**Minimum dimensions for core bore hole
PURSA + EF750 + EFRG (kitchen island):**



Connection diagram

BORA S Pure

PURSA/PURSU



Position	Description	Note
1	Power supply cable for the cooktop with cooktop extractor	The connection cable must be provided at the installation site
2	Power supply	L1/L2/L3/N/PE Minimum fuse protection 3 x16 A
3	Power supply for the cooktop with cooktop extractor	
4	Switch relay	
5	S1 switch connection and switch relay	E.g. via wireless communication
S1	External switch contact	E.g. window contact switch for operating in exhaust mode with flues/fireplaces

The connection diagram shows the maximum connection options required and is for planning purposes only. The connection itself must be carried out by a qualified specialist based on the operating instructions.

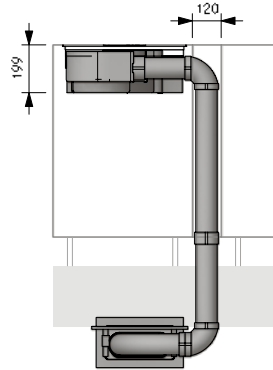
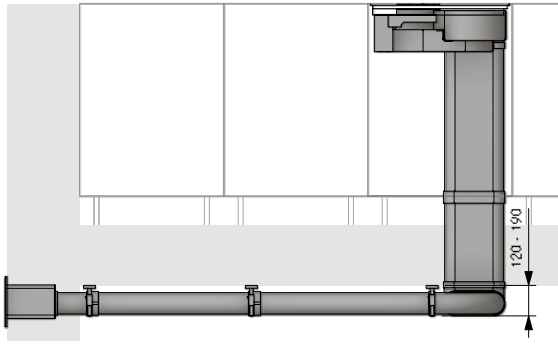
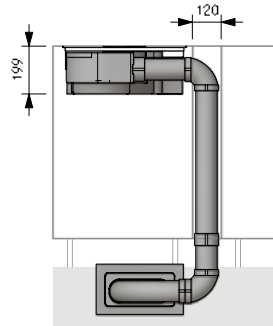
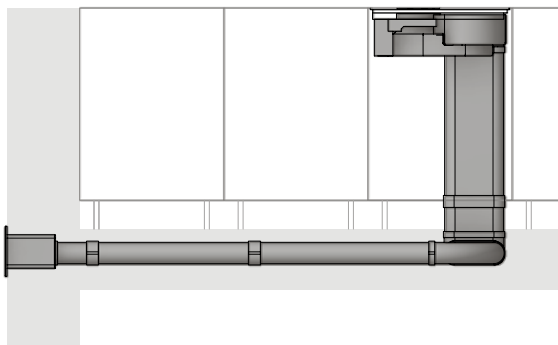
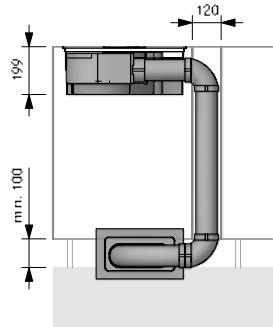
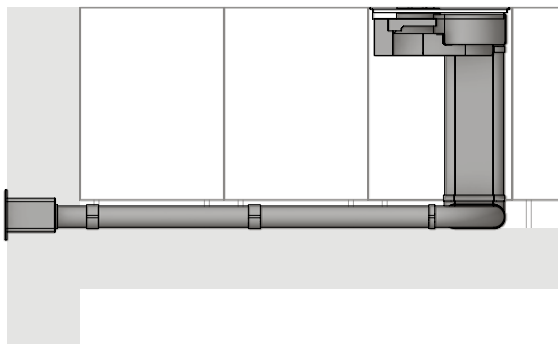
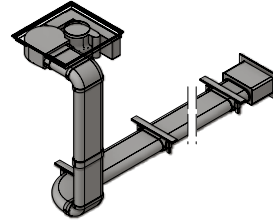
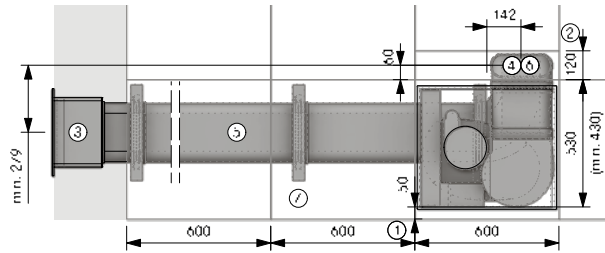
Model plans

BORA S Pure

see more model plans at <https://partner.bora.com>

PURSA – exhaust air model for kitchen peninsulas

MP_7476 – with airflow towards the left in the plinth, in the floor structure and on the basement ceiling



Planning instructions

- ① At least 50 mm from front edge to cut-out. The minimum distance of 50 mm from the front edge of the worktop to the worktop cut-out is a recommendation from BORA. For the binding measurement, please contact your worktop manufacturer.
- ② Space requirements for technology
- ③ Wall opening 310 x 155 mm. 71 mm from bottom edge of opening to centre of duct. Must expel air in a straight line regardless of the weather conditions

Ducting in the floor structure

- ④ Ecotube connection point
- ⑤ Fitted in floor installation according to DIN 18560-2 (fully integrated in the levelling layer). If the structure deviates from DIN 18560-2, reinforced screed must be provided for

Ducting on the basement ceiling

- ⑥ Opening at least 110 x 270 mm
- ⑦ One mounting bracket set per Ecotube product with moulded coupling

BORA product

- 1 PURSA S Pure induction cooktop with integrated cooktop extractor - exhaust air

BORA Ecotube product – plinth

- 3 EFV/1 duct connection, shallow
- 2 EFBV90/1 90° bend, shallow vertical
- 1 EFBH90/1 90° bend, shallow horizontal
- 1 UEBF/1 3box wall sleeve
- 4 EF750/1 shallow duct 750 mm

BORA Ecotube product – floor structure

- 4 EFV/1 duct connection, shallow
- 2 EFBV90/1 90° bend, shallow vertical
- 1 EFBH90/1 90° bend, shallow horizontal
- 1 UEBF/1 3box wall sleeve
- 2 EF750/1 shallow duct 750 mm
- 3 EFS750/1 shallow duct with partition 750 mm

BORA Ecotube product – basement ceiling

- 4 EFV/1 duct connection, shallow
- 2 EFBV90/1 90° bend, shallow vertical
- 1 EFBH90/1 90° bend, shallow horizontal
- 1 UEBF/1 3box wall sleeve
- 4 EF750/1 shallow duct 750 mm
- 3 EFMS/1 shallow installation set

Sealing material is included in the scope of delivery in the case of moulded parts with a socket design

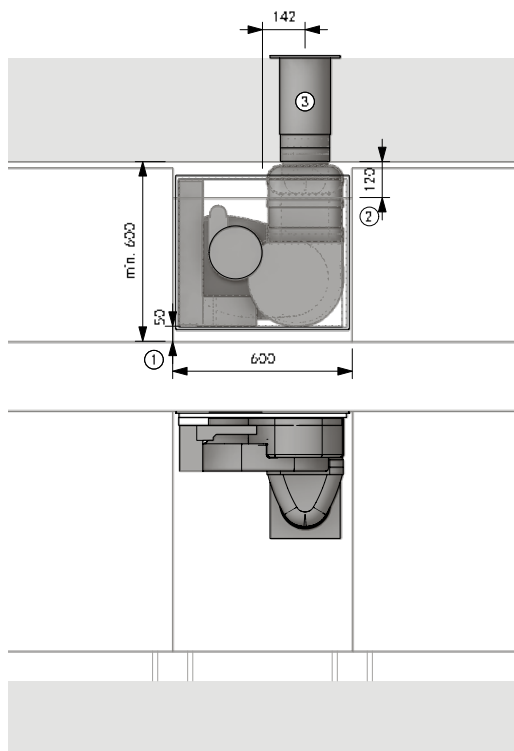
Model plans

BORA S Pure

see more model plans at <https://partner.bora.com>

PURSA - exhaust air model for kitchen units

MP_7006 - with air flow towards the back, round



Planning instructions

- ① At least 50 mm from front edge to cut-out. The minimum distance of 50 mm from the front edge of the worktop to the worktop cut-out is a recommendation from BORA. For the binding measurement, please contact your worktop manufacturer.
- ② Space requirements for technology
- ③ Core bore hole at least \varnothing 180 mm. Must expel air in a straight line regardless of the weather conditions

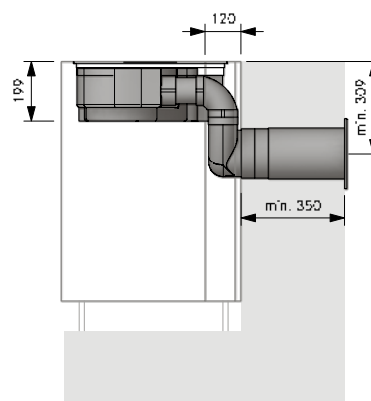
BORA product

- 1 PURSA S Pure induction cooktop with integrated cooktop extractor - exhaust air

BORA Ecotube product

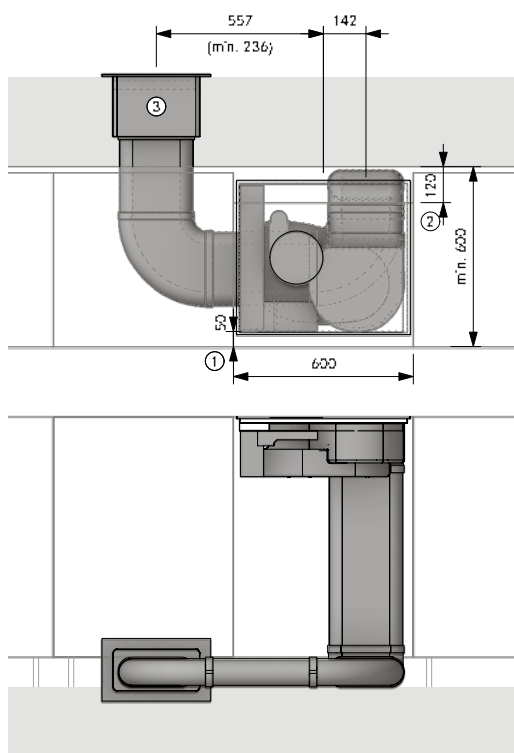
- 1 EFV/1 duct connection, shallow
- 1 EFBV90/1 90° bend, shallow vertical
- 1 UEBR/1 3box wall sleeve, round
- 1 EF750/1 shallow duct 750 mm
- 1 ERV/1 duct connection, round
- 1 EFR90/1 90° transition, shallow round
- 1 ER750/1 round duct 750 mm

Sealing material is included in the scope of delivery in the case of moulded parts with a socket design



PURSA - exhaust air model for kitchen units

MP_7112 - with air flow towards the back in the plinth



Planning instructions

- ① At least 50 mm from front edge to cut-out. The minimum distance of 50 mm from the front edge of the worktop to the worktop cut-out is a recommendation from BORA. For the binding measurement, please contact your worktop manufacturer.
- ② Space requirements for technology
- ③ Wall opening 310 x 155 mm. 71 mm from bottom edge of opening to centre of duct. Must expel air in a straight line regardless of the weather conditions

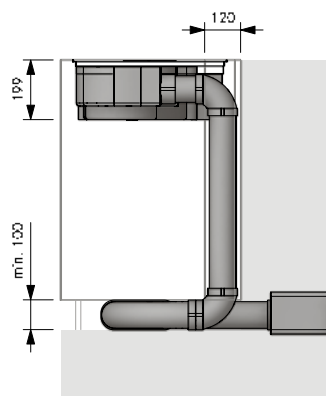
BORA product

- 1 PURSA S Pure Induction cooktop with integrated cooktop extractor - exhaust air

BORA Ecotube product

- 1 EFV/1 duct connection, shallow
- 2 EFBV90/1 90° bend, shallow vertical
- 2 EFBH90/1 90° bend, shallow horizontal
- 1 UEBF/1 3box wall sleeve
- 2 EF750/1 shallow duct 750 mm

Sealing material is included in the scope of delivery in the case of moulded parts with a socket design



Installation may only be carried out in accordance with the applicable standards, regulations and laws.

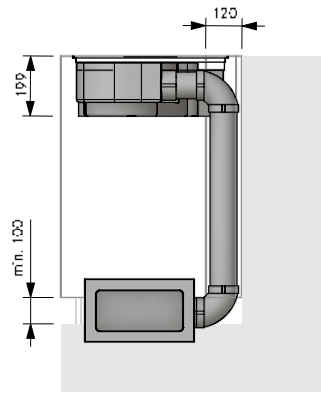
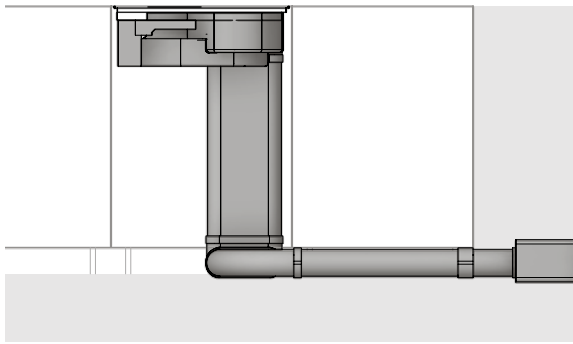
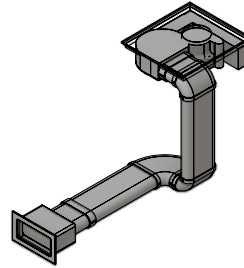
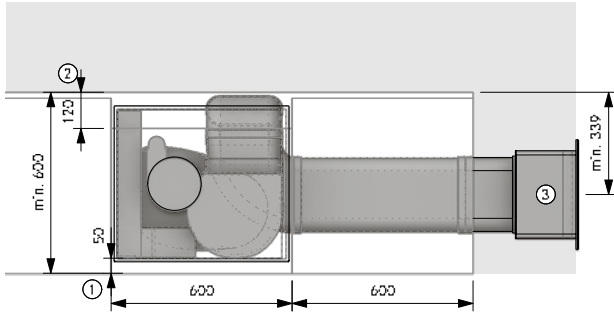
Model plans

BORA S Pure

see more model plans at <https://partner.bora.com>

PURSA - exhaust air model for kitchen units

MP_7100 - with air flow towards the right in the plinth



Planning instructions

- ① At least 50 mm from front edge to cut-out. The minimum distance of 50 mm from the front edge of the worktop to the worktop cut-out is a recommendation from BORA. For the binding measurement, please contact your worktop manufacturer.
- ② Space requirements for technology
- ③ Wall opening 310 x 155 mm.
71 mm from bottom edge of opening to centre of duct. Must expel air in a straight line regardless of the weather conditions

BORA product

- 1 PURSA S Pure Induction cooktop with integrated cooktop extractor - exhaust air

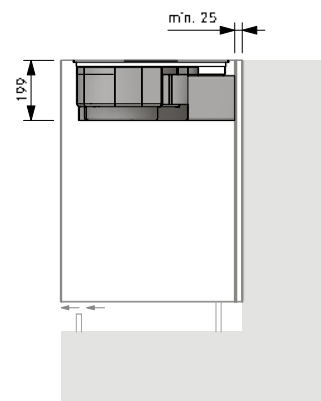
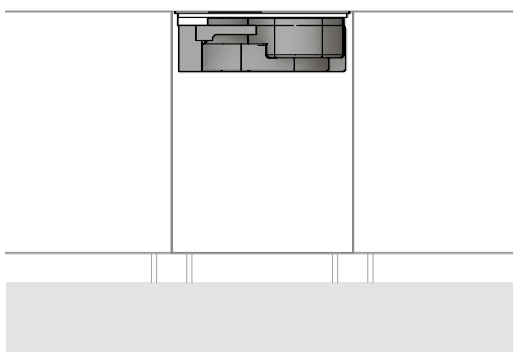
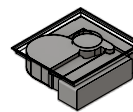
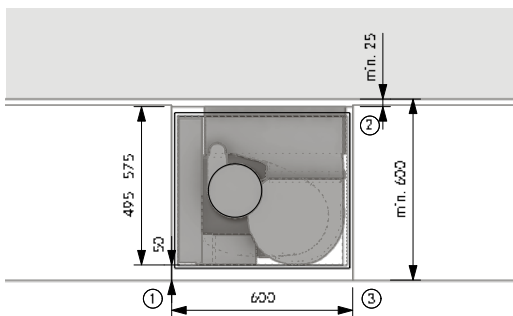
BORA Ecotube product

- 1 EFBH90/1 90° bend, shallow horizontal
- 2 EFBV90/1 90° bend, shallow vertical
- 2 EFV/1 duct connection, shallow
- 1 UEBF/1 3box wall sleeve
- 3 EF750/1 shallow duct 750 mm

Sealing material is included in the scope of delivery in the case of moulded parts with a socket design

PURSU - recirculation model for kitchen islands

MP_7410 - with air flow towards the back



Planning instructions

- ① At least 50 mm from front edge to cut-out. The minimum distance of 50 mm from the front edge of the worktop to the worktop cut-out is a recommendation from BORA. For the binding measurement, please contact your worktop manufacturer.
- ② At least 25 mm between the back of the unit and the adjacent structure must be provided for
- ③ Unobstructed return flow aperture of at least 500 cm²

BORA product

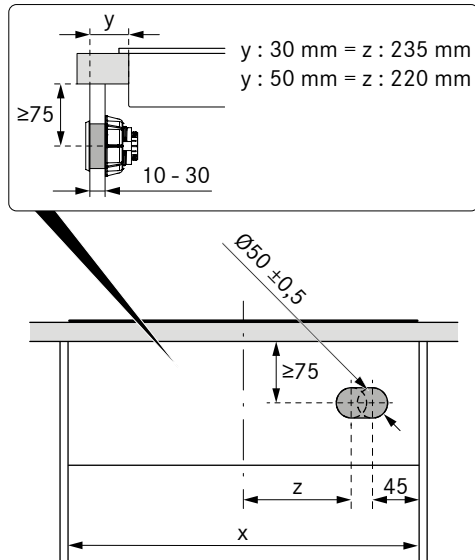
- 1 PURSU S Pure induction cooktop with integrated cooktop extractor - recirculation

Installation may only be carried out in accordance with the applicable standards, regulations and laws.

Socket positioning

Installation instructions for BORA sockets

S Pure



Important planning instruction:

- When using an engagement strip additionally ensure sufficient clearance for mounting the fixing screw.

BORA UNIVERSAL ARTICLE ACCESSORIES (KG 51)



USTF

BORA socket type F



USTFAB

BORA All Black socket type F All Black

- Connectivity for small electrical kitchen appliances
- Integrated childproofing feature
- Suitable for DE, ES, IT, AT, LU, PT, RU, BR, SE, NL



USTE

BORA socket type E



USTEAB

BORA socket type E All Black

- Connectivity for small electrical kitchen appliances
- Integrated childproofing feature
- Suitable for FR, PL, BE, CZ, SK



USTJ

BORA socket type J



USTJAB

BORA socket type J All Black

- Connectivity for small electrical kitchen appliances
- Suitable for CH, LI
- Spacing ring in the scope of delivery



USTG

BORA socket type G



USTGAB

BORA socket type G All Black

- Connectivity for small electrical kitchen appliances
- Suitable for UK, AE, SG
- Spacing ring in the scope of delivery



USTL

BORA socket type L



USTLAB

BORA socket type L All Black

- Connectivity for small electrical kitchen appliances
- Suitable for IT, SM
- Spacing ring in the scope of delivery