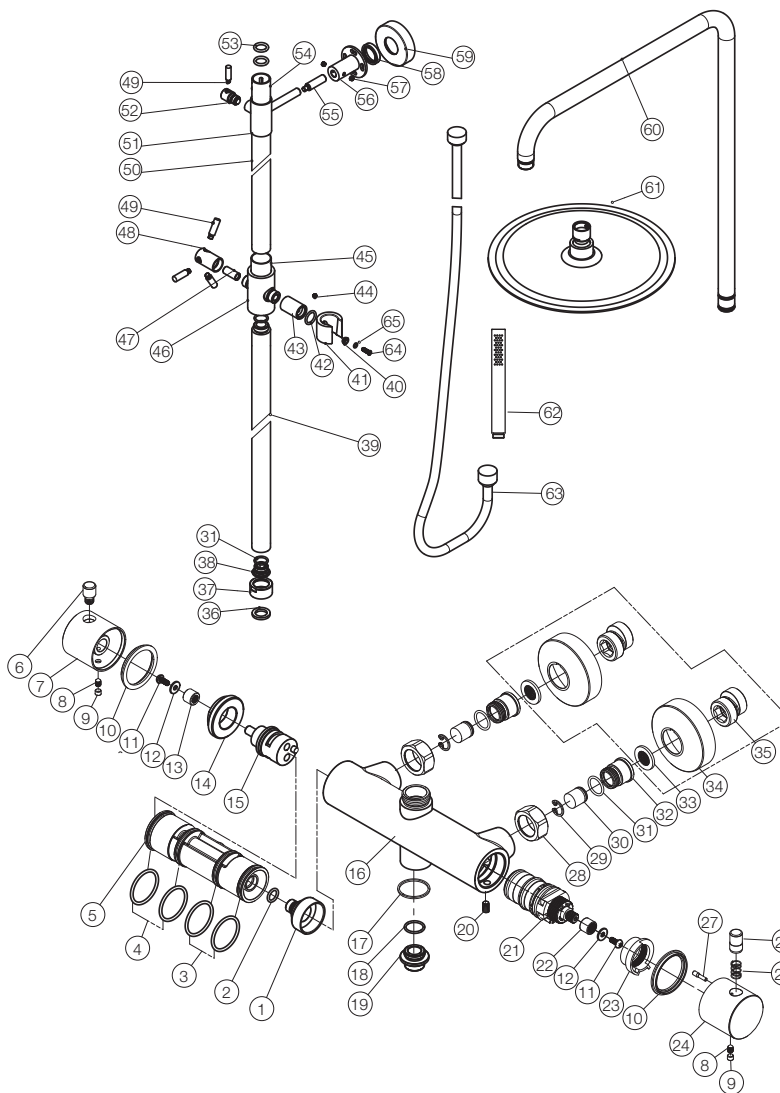


- 1 House of cartridge
- 2 o-ring
- 3 o-ring
- 4 o-ring
- 5 Core of body
- 6 Handwheel bar
- 7 Handwheel
- 8 Inner hex screw
- 9 Decoration rubber
- 10 Spring washer
- 11 Round screw nut
- 12 Washer
- 13 Splined hub
- 14 Lock nut
- 15 Diverter
- 16 Body
- 17 Washer
- 18 o-ring
- 19 Connector
- 20 Inner hex screw
- 21 Cartridge
- 22 Splined hub
- 23 Temp. Limit ring
- 24 Thermostatic handle
- 25 Button spring
- 26 Handwheel bar
- 27 Handwheel plug
- 28 foot nut
- 29 c ring
- 30 check valve



- 31 o-ring
- 32 connector
- 33 washer
- 34 Decoration cover
- 35 Connector
- 36 o-ring
- 37 Lock nut
- 38 Connector
- 39 Pipe
- 40 Screw
- 41 Holder
- 42 o-ring
- 43 Tube
- 44 Inner hex screw
- 45 Plastic sleeve
- 46 Holder body
- 47 Locking lever
- 48 Handle bar body
- 49 Handle bar
- 50 Pipe
- 51 Wall bracket body
- 52 Locking lever
- 53 o-ring
- 54 Plastic sleeve
- 55 Extension
- 56 Wall bracket
- 57 Inner hex screw
- 58 Rubber
- 59 Decoration cover
- 60 Bent tube
- 61 Head shower

Pleasure 2 Coal

Art no: 20013 RSK: 8283015

SCANDTAP®
BATHROOM CONCEPTS

Scandtap AB, Olofsdalsvägen 21, 302 41 Halmstad, Sweden
info@scandtap.com, www.scandtap.com

